



CONCOURS DE RECRUTEMENT D'ÉLÈVES
INGÉNIEURS ÉLECTRONICIENS DES SYSTÈMES DE LA SÉCURITÉ
AÉRIENNE

I.E.S.S.A.

ÉPREUVE OBLIGATOIRE
D'ANGLAIS

Durée : 2 heures

Coefficient : 2

CALCULATRICE NON AUTORISÉE



Cette épreuve comporte :

- 1 page de garde (recto)
- 1 page d'instructions (recto)
- 8 pages de texte numérotées de 1 à 8 recto-verso
(80 questions, toutes obligatoires)

ÉPREUVE OBLIGATOIRE D'ANGLAIS

A LIRE TRÈS ATTENTIVEMENT

L'épreuve obligatoire d'anglais de ce concours est un questionnaire à choix multiple qui sera corrigé informatiquement.

- 1) Pour remplir ce QCM, vous devez utiliser un stylo à bille ou feutre à encre foncée bleue ou noire. Vous devez **cocher** la case en vue de la lecture informatisée de votre QCM.
- 2) Utilisez le sujet comme brouillon (ou les feuilles de brouillons qui vous sont fournies à la demande par le (la) surveillant(e) qui s'occupe de votre rangée) et ne retranscrivez vos réponses qu'après vous être relu soigneusement.
- 3) Votre QCM ne doit pas être souillé, froissé, plié, écorné ou porter des inscriptions superflues, sous peine d'être rejeté informatiquement et de ne pas être corrigé.
- 4) Si vous voulez **modifier** votre réponse, n'utilisez pas de correcteur mais indiquez la nouvelle réponse sur la 2ème ligne.
- 5) Le sujet comporte 80 questions. Vous devez donc porter vos réponses sur les lignes numérotées de 1 à 80. Veillez à bien porter vos réponses sur la ligne correspondant au numéro de la question.
- 6) Chaque ligne comporte 5 cases A, B, C, D, E. **La case E ne doit en aucun cas être utilisée.**
- 7) Dans cette épreuve, il n'y a **qu'une seule réponse juste** pour chaque question.
- 8) Pour chaque ligne numérotée de 1 à 80, vous vous trouvez en face de 2 possibilités :
 - ▶ soit vous décidez de ne pas traiter cette question :
la ligne correspondante doit rester vierge.

 - ▶ soit vous décidez de traiter cette question :
vous devez cocher l'une des cases A, B, C, D et une seule.

Questions 1 à 40 :

CHOISISSEZ PARMIS LES QUATRE RÉPONSES PROPOSÉES CELLE QUI COMPLÈTE AU MIEUX LA PHRASE.

1) He practices every day so I'm sure heimproved.

- A) would B) has C) will D) had

2) He was so nervous he couldn't negotiate.....

- A) in effect B) effective C) effectively D) with efficacy

3) It is much harder for people to buy houses than what it.....be.

- A) used to B) use to C) would D) were to

4) He escaped from prison a week ago, he..... anywhere by now.

- A) might have been B) could to be C) could be D) was able to

5) After breaking his arm, his muscles were than before.

- A) so weak B) much weak C) more weaker D) much weaker

6) Nowadays, in China, more children go to study abroad before.

- A) as ever B) as much as C) than ever D) more than

7) After working all summer, he to buy his own computer.

- A) was able B) could C) would D) was having

8) The office workers stopped eating chocolate cake they could lose weight.

- A) if B) so that C) because D) unless

9) At the interview the candidates for their leaving certificates

- A) have been asking B) had asked C) have asked D) were asked

10) He would love to live a desert island

- A) on B) onto C) inside D) at

11) Where is Peter? He is probably on the phone with his girlfriend.

- A) ever B) always C) still D) never

12) The lawyer persuaded her client the truth

- A) had told B) tell C) to tell D) has told

13) They have two sons. of them look like their parents.

- A) Neither B) Every C) Either D) All

14) She bought the company having very little help from the bank.

- A) because of B) despite C) by D) since

15) The man has been unemployed leaving school.

- A) when B) by C) while D) since

16) Daniel is completely unfit and therefore he..... possibly run the marathon next month.

- A) couldn't B) must have to C) could D) mustn't have

17) Something very strange..... to them on the flight to London last month.

- A) was happening B) happened C) happens D) has been happening

18) The company is spending too much money. They are going cut back.

- A) to be in B) to go to C) to be able to D) to have to

19) Mr Twain said that man is the only animalblushes.

- A) whom B) that C) wherein D) to which

20) Michael gave..... playing the guitar years ago.

- A) in B) up C) on D) out

21) The baby was hungry and cried time.

- A) the whole B) each C) the complete D) entire

22) Do you out for dinner?

- A) suggest to get B) fancy to go C) suggest getting D) fancy going

23) He tried to avoid their feelings.

- A) to hurt B) to stop C) hurting D) stopping

24) Music is allowed after 11pm.

- A) no B) not C) ever D) any

25) If the snow fallen, we could have gone skiing.

- A) had B) has C) would be D) would have

26) You shouldn't tell them anythingyou are sure it's the right thing to do.

- A) when B) unless C) moreover D) in case of

27) Hi Mike, have you found a flat.....?

- A) still B) soon C) ever D) yet

28) Susan is feeling a worried about her exams.

- A) slightly B) quiet C) piece D) bit

29) There are just too toys to choose from.

- A) much B) big C) many D) lot

30) She is young enough get a reduction at the cinema.

- A) to B) that C) of D) for

31) The more they practice it gets.

- A) more easier B) more easy C) the easier D) the easy

32) We've brought some music with

- A) ourselves B) me C) us D) we

33) The two sisters often wear..... clothes

- A) each other B) each other's C) themselves D) themself's

34) cities are still in lockdown.

- A) Any B) Half C) Partly D) Some

35) We all tried to get the car going but it just move.

- A) couldn't B) hadn't C) wouldn't D) can't

36) I'd love to watch the new TV series. Have you seen it.....?

- A) since B) yet C) for D) just

37) I'd like to see the photo

- A) took B) you took it C) that took D) that you took

38) There are more twins nowbefore.

- A) than never B) than ever C) since D) as

39) More people visit France thancountry.

- A) any other B) some other C) another D) most other

40) They were relieved to know that they werethe exam.

- A) to the half of B) halfway through C) halfway D) halfway inside

Questions 41 à 80 :

Les extraits ci-dessous abordent des thèmes divers tirés de l'actualité. Pour chaque phrase numérotée, vous devez choisir le mot ou l'expression correcte et noircir la case correspondante sur la feuille de réponses.

Treatment of ex-Nissan boss – fundamentally unfair

The former Nissan chief Carlos Ghosn's multiple (41) _____ and detentions in Japan before he dramatically fled the country last year were "arbitrary", UN experts have ruled, (42) _____ Tokyo to pay him compensation.

In an opinion dated late last week and (43) _____ condemned by Japan, the UN working group on arbitrary detention concluded that "the process of arresting and detaining Mr Ghosn four times was fundamentally unfair".

The working group, (44) _____ five independent experts who do not speak (45) _____ the United Nations and whose opinions are not binding, stressed that its findings did not pertain to the accusations against Ghosn, but only to the conditions surrounding his detention. It ruled that the now 66-year-old's detention was "arbitrary", and also voiced (46) _____ that his bail conditions had been "unusually strict", especially during the second period when he was barred from all contact with his wife, other than through lawyers.

The experts called on Tokyo to "take (47) _____ necessary to remedy the situation of Mr Ghosn without delay". "The appropriate remedy would be to accord Mr Ghosn an enforceable right to compensation and other reparations, (48) _____ international law," it said.

The ex-Nissan chief's lawyers Francois Zimeray and Jessica Finelle hailed the "courageous decision", saying it represented "a decisive (49) _____." But the Japanese government rejected the findings, saying it "deeply regrets" that the experts had "rendered opinions based on limited information and biased allegations", and not on "accurate understanding of Japan's (50) _____ justice system."

- | | | | |
|---------------------|--------------------|-----------------------|-----------------|
| 41 A) arrestation | B) arrests | C) stops | D) stoppings |
| 42 A) urging | B) providing | C) allowing | D) contributing |
| 43 A) hard | B) hardly | C) harsh | D) harshly |
| 44 A) combined with | B) joint | C) connected | D) made up of |
| 45 A) on behalf of | B) wherby | C) on the account | D) namely |
| 46 A) problem | B) worried | C) concern | D) anxious |
| 47 A) the roads | B) the steps | C) the staircase | D) the ladders |
| 48 A) according | B) agreeing | C) in accordance with | D) in agreement |
| 49 A) turning point | B) major tournring | C) roundabout | D) U-turning |
| 50 A) crime | B) criminal | C) lawful | D) legally |

More than 500,000 full electric cars sold in Europe in 10 months

Carmakers have sold more than 500,000 battery electric cars in Europe during 2020, a (51) _____ in a move away from fossil fuels.

Full electric car sales are (52) _____ as tightening emissions rules and increasing consumer demand have prompted manufacturers to spend billions of euros on developing new models capable of driving longer (53) _____ .

In the UK, the sale of new cars that (54) _____ solely on petrol or diesel will be banned in 2030 although new hybrids will be legal until 2035. Other countries including France and Norway have also introduced plans to (55) _____ new internal combustion engines over varying timeframes.

However, the car industry still faces a (56) _____ uphill journey away from fossil fuels. Total UK and European new car sales in the year to October were 13.3m, the vast (57) _____ of which had petrol and diesel engines, which are expected to be more profitable than battery cars until about 2024.

Carmakers are (58) _____ to sell more battery electric cars because they face steep fines if they do not lower the average carbon dioxide emissions of the cars they sell.

“The targets have been made easier to (59) _____ by a depressed total market, meaning fewer plug-ins have to be registered in order to meet compliance levels, and secondly by governments’ willingness to increase purchase and fiscal incentives (60) _____ coronavirus pandemic.”

- | | | | |
|------------------|----------------|---------------|-------------------|
| 51 A) milestone | B) metre | C) mile | D) stepping stone |
| 52 A) firing | B) exploded | C) missiled | D) rocketing |
| 53 A) variations | B) ranges | C) gaps | D) pathways |
| 54 A) crawl | B) run | C) walk | D) glide |
| 55 A) increase | B) compress | C) ban | D) drive |
| 56 A) steep | B) climbing | C) height | D) shallow |
| 57 A) grouping | B) minority | C) summary | D) majority |
| 58 A) anxiously | B) keen | C) quickly | D) enthusiast |
| 59 A) finish | B) count | C) achieve | D) aim |
| 60 A) in sight | B) in light of | C) in account | D) highlighting |

Chess becomes the new trend

Who could have (61) _____ chess sets might become as difficult to find as toilet paper during the early weeks of the pandemic?

Sales of chess sets have skyrocketed, says the marketing director at Goliath Games. The company sells six different kinds of chess sets, including those familiar red-boxed Pressman sets than can be seen in the toy (62) _____ at Walmart.

"Our October sales for chess were up 178% over the same period last year," Higbe says. That's a big increase, but something else has happened since and now, she says, "our chess sales are up 1,048%."

Every so (63) _____ a game comes along that captures the popular imagination. In November 2020, that game is chess. The reason? A Netflix period drama that (64) _____ in late October.

"Ever since 'The Queen's Gambit' (65) _____, our chess sales have increased triple digits," marvels Elizabeth LoVecchio, vice-president of marketing at Spin Master. The huge toy company has a division of classic games, such as chess, checkers and backgammon and (66) _____ about 70% of the market share in the United States.

Chess set sales are rising in the secondary market as well. e-Bay registered a 215% increase in chess set and accessory sales since *The Queen's Gambit* hit Netflix, with shoppers (67) _____ wooden chess sets nine times more than plastic, electronic or glass ones, according to an eBay spokesperson. Toy analyst Gerrick Johnson now warns that demand will outstrip (68) _____. "Six months ago, these retailers weren't saying, let's load up on chess sets," he notes. "Good luck finding a chess set this holiday!"

Chess has long been alluring, even dramatic but *The Queen's Gambit* makes it seem accessible, Higbe adds. All that just adds to the appeal of a game that's both eminently (69) _____ and pleasingly different every time you play it.

"You have to have patience. You have to really think about strategy. You have to (70) _____," she says.

- | | | | |
|-----------------|-----------------|---------------|----------------|
| 61 A) pre-close | B) pre-approach | C) predicted | D) prescribed |
| 62 A) aisle | B) alley | C) corridor | D) compartment |
| 63 A) frequent | B) time | C) often | D) nowadays |
| 64 A) derived | B) debuted | C) debased | D) devoured |
| 65 A) set off | B) launched | C) played | D) take off |
| 66 A) owns | B) presents | C) accepts | D) admits |
| 67 A) looking | B) regarding | C) glaring at | D) seeking out |
| 68 A) offer | B) give | C) provide | D) supply |
| 69 A) cheaply | B) affordable | C) valueless | D) expensive |
| 70 A) go ahead | B) look behind | C) plan ahead | D) turn around |

The Iron Lady creates a mini Brexit

For a small town in Lincolnshire, which Margaret Thatcher once called home, it's been an issue as divisive as Brexit: Should Grantham erect a statue (71) _____ the UK's first female prime minister?

It's a simple enough question, but the process of erecting a statue of the Iron Lady, created by sculptor Douglas Jennings has been a long, painstaking and arduous (72) _____. The statue was rejected by Westminster council in central London in 2018 because councillors feared it would be a (73) _____ for vandalism and protests.

It was then offered to her (74) _____ of Grantham and, following a brisk debate by the planning committee, was approved in 2018. Some hoped that would be the end of it, but the statue remained stored away.

The council's controversial decision to underwrite a £100,000 unveiling ceremony on Tuesday then reignited the debate on (75) _____ the statue should be erected. The vote, in the middle of a global pandemic that has sparked the deepest recession in a generation, has been heavily (76) _____.

Lee Steptoe, chair of Grantham Labour, said "She was arguably the most divisive prime minister this country has ever had and this is an incredibly divisive decision by the local Tories."

Adam Burgess who lives in Stamford said he was (77) _____ by the announcement that the council would underwrite the unveiling. "In the area we're living in, we're seeing a huge number of homeless people, we're seeing food banks (78) _____ all over the place."

Ralph Harrison, a retired civil servant who lives in Grantham, (79) _____, "I appreciate there are lots of different views on Margaret Thatcher, she is a very controversial figure, but it's a question of achievement. She (80) _____ something when becoming the first woman prime minister."

- | | | | |
|------------------|-----------------|------------------|-----------------|
| 71 A) decorating | B) announcing | C) commemorating | D) visiting |
| 72 A) her | B) one | C) it | D) any |
| 73 A) mirror | B) reflection | C) love | D) magnet |
| 74 A) birth | B) hometown | C) homeland | D) house |
| 75 A) whether | B) wherever | C) whenever | D) wherein |
| 76 A) criticised | B) appalled | C) destroyed | D) damaged |
| 77 A) guilty | B) sheepish | C) ashamed | D) embarrassing |
| 78 A) opening at | B) springing up | C) jumping down | D) joining in |
| 79 A) decided | B) spoke | C) agreed | D) disagreed |
| 80 A) achieved | B) finished | C) acquired | D) ended |

Session 2022

CONCOURS DE RECRUTEMENT D'ÉLÈVES
INGÉNIEURS ÉLECTRONICIENS DES SYSTÈMES DE LA SÉCURITÉ
AÉRIENNE

I.E.S.S.A.

ÉPREUVE OBLIGATOIRE DE FRANÇAIS

Durée : 3 heures

Coefficient : 3

**TOUT DISPOSITIF ELECTRONIQUE EST
INTERDIT**



Cette épreuve comporte :

- 1 page de garde (recto)
- 1 page de consignes (recto)
- 1 livret Q.C.M. (1 page de garde + 3 pages de QCM numérotées de 1 à 3 recto verso)
- 1 livret note de synthèse (1 page de garde + 1 page de consignes + 4 pages de texte numérotées de 1 à 4 recto verso).

TRÈS IMPORTANT

- 1) Vous devez composer lisiblement sur les copies avec un stylo à bille à encre foncée : bleue ou noire.
- 2) Les effaceurs correcteurs (comme le tippex) sont interdits car ils peuvent laisser des résidus sur les vitres du scanner lors de la numérisation des copies.
- 3) Numéroté chaque **page** de composition pour faciliter la correction de la copie (il n'est pas nécessaire de numéroté les **pages entièrement blanches**) dans la zone prévue en bas à droite de chaque copie.

Par exemple, pour la 6^{ème} page d'une copie comportant 7 pages de composition et une **page blanche**, numéroté ainsi pour la page 6 sur 7 :

.6/.7.

- 4) Vous devez composer uniquement sur les supports de composition officiels pour l'épreuve.
- 5) Aucun brouillon ne sera ramassé.

LIVRET Q.C.M

Épreuve sur 10 points

L'épreuve de ce QCM comporte 20 questions.

Vous avez **4 choix possibles** - a) - b) - c) ou d) pour chacune d'elles.

Dans cette épreuve, il n'y a **qu'une seule réponse juste** pour chaque question.

Vous reporterez correctement, sans gribouillage, vos bonnes réponses sur la copie en précisant le numéro de la question et la lettre réponse en minuscule.

EXEMPLE :

1. a)
2. c)
3. d)
4. a)

1. Choisissez le bon accord : « Cette rencontre permet aux candidates de découvrir la richesse et la diversité des métiers qui leur sont ... ».

- a) offertes
- b) offert
- c) offerts
- d) offerte

2. Choisissez le mot de vocabulaire correct : « Les ... des vingt groupes résonnent sur les avions exposés en statique ».

- a) appellations
- b) apellations
- c) appélations
- d) apélation

3. Choisissez : « Les compagnies ... d'aides de l'État ».

- a) bénéficieront
- b) bénéficieront
- c) bénéfissieront
- d) bénéficieront

4. Que doit-on écrire ? « Ces entreprises se sont ... livrer leur matériel en seulement 24 heures ».

- a) faites
- b) fait
- c) faits
- d) faite

5. Choisissez : « veuille, qu'il le demande poliment ».

- a) quoiqu'il
- b) quoi qu'il
- c) quoique il
- d) qu'oiqu'il

6. Choisissez : « J'ai ... mille et un soucis que je ne peux évacuer de mon esprit ».

- a) quels que
- b) quelques
- c) quelque
- d) quel que

7. Conjuguez : « Si vous n'étiez pas venus à mon mariage, je vous ... maudits ! ».

- a) aurai
- b) aurez
- c) aurais
- d) aurés

8. Quelle est la bonne orthographe ? « Cette décision à prendre est à mes yeux un cruel ... ».

- a) dilème
- b) dilemme
- c) dilemne
- d) dilèmne

9. Choisissez : « Toutes les sociétés seront... par ces scandales ».

- a) bouleversés
- b) bouleversées
- c) bouleversé
- d) bouleversées

10. Qu'écririez-vous ? « Je pense qu'il nous faut ... ces problèmes ».

- a) pallier à
- b) palier à
- c) pallier
- d) palier

11. Comment écririez-vous ? « Je vous prie de trouver ... les images promises ».

- a) ci-joint
- b) ci-jointe
- c) ci-jointes
- d) ci jointes

12. Dans la phrase : « Les pommes que tu as cueillies semblaient exquis », « cueillies » est :

- a) un participe présent
- b) un participe passé
- c) un adjectif qualificatif
- d) un complément d'objet direct

13. Trouvez à quel temps est conjugué le verbe dans la phrase suivante : « Nous avons toujours imaginé le pire ».

- a) passé composé
- b) plus que parfait
- c) conditionnel passé
- d) participe passé

14. Quel est le mot mal orthographié ?

- a) réalité
- b) félicité
- c) postérité
- d) charretée

15 « Hep ! » est :

- a) une apocope
- b) une asyndète
- c) une onomatopée
- d) une anaphore

16. C'est, ces, ses sont des mots dits :

- a) homophones
- b) palindromes
- c) homographes
- d) synonymes

17. Retrouvez la phrase correcte :

- a) J'ai tellement apprécié les lettres que je les ai constamment enseigné avec goût à mes élèves.
- b) J'ai tellement apprécié les lettres que je les aies constamment enseigné avec gout à mes élèves.
- c) J'ai tellement apprécié les lettres que je les ai constamment enseignées avec goût à mes élèves.
- d) J'ai telement apprécié les lettres que je les est constamment enseignées avec gout à mes élèves.

18. Une situation pérenne signifie :

- a) une situation éphémère
- b) une situation abominable
- c) une situation appréciable
- d) une situation durable

19. L'aérologie correspond à :

- a) La divination par l'observation des phénomènes aériens.
- b) La déglutition excessive d'air qui en pénétrant dans l'œsophage entraîne divers troubles pathologiques.
- c) La partie de la physique qui étudie les hautes couches de l'atmosphère.
- d) La récolte et l'analyse du plancton aérien.

20. Une théocratie est :

- a) Une doctrine philosophique et morale qui se présente comme ayant des liens secrets avec le bouddhisme et le lamaïsme.
- b) Une partie de la métaphysique qui traite, d'après les seules lumières de l'expérience et de la raison, de la nature de Dieu.
- c) Une disposition d'esprit ou attitude consistant à placer Dieu au centre de toute vision du monde et de toute interprétation de l'histoire.
- d) Une forme de gouvernement dans lequel le pouvoir, considéré comme émanant de Dieu, est exercé par ceux qui sont investis de l'autorité religieuse.

Livret note de synthèse

Épreuve sur 20 points

Rédaction d'une note de synthèse

Dans le cadre de votre activité d'ingénieur électronicien des systèmes de la sécurité aérienne, vous serez amené(e) à rédiger des notes de synthèse à destination de différents publics.

Vous démontrerez par conséquent votre aptitude à ce type d'écrit professionnel en rédigeant une synthèse globale des textes ci-joints, **en 2 pages à 2 pages et demi.**

Critères d'évaluation :

- **compréhension et problématisation du dossier** (sur 3 points)
- **esprit de synthèse** (sur 3 points)
- capacité de **structuration** (ou organisation) (sur 3 points)
- maîtrise globale de l'exercice (sur 6 points) :
 - + **confrontation des idées**
 - + **référence systématique aux auteurs et/ou aux documents**
 - + **objectivité**
 - + **reformulation des idées**
- **maîtrise de la langue française** (sur 5 points).

La copie doit être aisément **lisible, compréhensible**, donc **rédigée avec soin** (pas d'abréviations, notes, résumés).

Si ce n'était pas le cas, elle serait susceptible de faire l'objet de **pénalités (jusqu'à – 3 points)**

Document 1 : « Les fondements de l'autorité », *Sciences Humaines*, Éditorial du Dossier *Autorité : de la hiérarchie à la négociation*, n° 117, juin 2001.

Document 2 : Michel Serres : « La seule autorité possible est fondée sur la compétence », Propos recueillis par Christophe Labbé et Olivia Recasens, *Le Point*, 21 septembre 2012.

Document 3 : « Les Français, gaulois réfractaires à l'autorité au travail ? », GPMag.fr, écrit par la Rédaction, 29 mai 2019.

Document 4 : Anne Rodier, « S'inspirant des entreprises dites 'libérées', certaines entreprises éliminent le manager », *Le Monde*, 16 octobre 2019.

Document 1 : « Les fondements de l'autorité », *Sciences Humaines*, Éditorial du Dossier *Autorité : de la hiérarchie à la négociation*, n° 117, juin 2001.

L'autorité est souvent assimilée à un pouvoir devant lequel on s'incline, par crainte ou par respect, sans que son détenteur soit contraint d'employer la force. On la considère aussi aujourd'hui sous l'angle des relations entre personnes.

Les formes du pouvoir

Pour les sciences sociales, le pouvoir se caractérise par des processus d'interactions entre les individus au sein de la société. Le politologue américain Robert Dahl, dans *Qui gouverne ?* a fourni une définition devenue aujourd'hui canonique : un individu (seul ou représentant d'une organisation, d'un Etat...) exerce un pouvoir sur un autre individu, dans la mesure où il obtient de ce dernier des comportements, des actions, voire des conceptions que celui-ci n'aurait pas eu sans son intervention.

Le pouvoir ne se confond pas avec la force, quoiqu'il lui soit souvent lié. Il suppose surtout la volonté d'agir en direction de buts reconnus. Ceux qui détiennent le pouvoir, les élites politiques par exemple, usent de la puissance, ont besoin d'autorité. Ils recherchent le prestige, l'un des attributs fondamentaux de l'autorité et du pouvoir. Le pouvoir est classiquement associé à la domination, qui suppose une emprise exercée par un individu, un groupe ou une institution sur d'autres individus. Plus que la notion de pouvoir, celle de domination évoque une relation de commandement, de maîtrise, et réciproquement d'obéissance, de soumission. [...]

Les caractéristiques de l'autorité

L'autorité peut être attachée à la fonction (représentant de l'Etat, prélat...), mais elle peut découler de la capacité individuelle. Le chef d'une Église, le roi ou le père de famille ont incarné ce pouvoir dans les sociétés anciennes et modernes. Une abondante littérature s'est penchée sur la capacité d'un détenteur de pouvoir d'entraîner l'adhésion de ses subordonnés. Nommée *leadership* par les sciences humaines, cette aptitude fait implicitement référence aux mécanismes d'identification positive, voire de projection des subordonnés sur le *leader*. L'autorité est en moyenne aujourd'hui plus partagée et plus diffuse dans la société, les institutions et la famille. Les sciences humaines distinguent quelques caractéristiques fondamentales de l'autorité.

Le savoir est une ressource relative selon le type d'autorité. C'est par exemple la capacité d'agir face au danger qui fonde l'autorité et le prestige des chefs militaires. Dans la forme « légale rationnelle » d'autorité propre à la société industrielle, la connaissance scientifique et administrative est essentielle. Aujourd'hui, l'alliance de connaissances scientifiques, relationnelles ou autres, constitue la condition d'un bon exercice de l'autorité.

Schématiquement, trois formes principales de légitimité du pouvoir se sont succédé historiquement. La légitimité sacrée ou guerrière fondait le pouvoir des rois et chefs des sociétés traditionnelles. La légitimité étatique et scientifique s'est substituée à ce modèle. Un nouveau principe de légitimité « rationnelle négociée », fondée sur la compétence des individus et leurs négociations, s'est ajouté aux précédents dans la société contemporaine.

La reconnaissance par les subordonnés de la légitimité du pouvoir et de son exercice est l'une des conditions de l'autorité. Actuellement, la reconnaissance de l'autorité fait problème. Elle ne découle plus naturellement du statut ou de la position professionnelle. Elle s'ancre sur la compétence du détenteur de l'autorité et fait l'objet de négociations permanentes.

Document 2 : Michel Serres : « La seule autorité possible est fondée sur la compétence », *Propos recueillis par Christophe Labbé et Olivia Recasens, Le Point, 21 septembre 2012.*

On parle partout de la "crise de l'autorité". Tout le monde cherche l'autorité perdue. Mais de quoi parle-t-on ? Il ne s'agit plus de l'autorité "coup de bâton". Cette autorité-là n'est que le décalque des conduites animales, celle du mâle dominant chez les éléphants de mer ou les chimpanzés. C'est pourquoi, quand je vois un patron avec son staff autour, plein de courbettes, je ne peux m'empêcher de penser aux ruts des wapitis dans les forêts de Californie du Nord. Cette autorité-là fait marcher les sociétés humaines comme des sociétés animales.

La hiérarchie est animale, il n'y a pas de doute là-dessus. Dès que vous exercez une contrainte, vous redevenez la "bête humaine". Le nazisme est le symbole de cette autorité, représentée - ce n'est pas un hasard - par un animal. L'autoritarisme a toujours été une tentation des sociétés humaines, ce danger qui

nous guette de basculer très facilement dans le règne animal. En France une femme meurt tous les jours sous les coups de son compagnon, mari ou amant. Est-ce cela, l'autorité masculine ? L'autorité perdue que l'on essaie de récupérer peut vite conduire au retour de l'autorité "coup de bâton".

La véritable autorité, celle qui grandit l'autre

Heureusement, la culture humaine a remplacé le schéma animal. Dans la langue française, le mot "autorité" vient du latin *auctoritas*, dont la racine se rattache au même groupe que *augere*, qui signifie "augmenter". La morale humaine augmente la valeur de l'autorité. Celui qui a autorité sur moi doit augmenter mes connaissances, mon bonheur, mon travail, ma sécurité, il a une fonction de croissance. La véritable autorité est celle qui grandit l'autre. [...]

Dans mon dernier livre, je raconte l'avènement d'un nouvel humain, né de l'essor des nouvelles technologies, "Petite Poucette", l'enfant d'Internet et du téléphone mobile. Un clin d'œil à l'usage intensif du pouce pour converser par texto. L'avènement de Petite Poucette a bousculé l'autorité et le rapport au savoir. Parents et professeurs ont le sentiment d'avoir perdu leur crédibilité dès lors que, face à eux, Petite Poucette tient entre ses pouces un bout du monde. Ce que j'appelle dans mon livre la présomption de compétence. Il y a vingt ans, lorsque, enseignant, j'entrais dans un amphithéâtre, je présumais que mes étudiants ne savaient pas. Désormais, j'ai des Petite Poucette devant moi, qui ont probablement compulsé sur Wikipedia les questions que je traite dans mon cours. À l'égard de son élève, le maître a maintenant cette présomption de compétence qu'il est de son devoir d' "augmenter".

Autrefois, le médecin pouvait présumer que le patient qui consultait ignorait tout de la maladie dont il souffrait. Aujourd'hui, avant d'aller voir le médecin, on cherche sur Internet des informations concernant ses symptômes, pour tenter de poser soi-même un diagnostic. Le médecin a perdu l'autorité qu'il détenait par la présomption d'incompétence de son patient. [...]

Nouvelle démocratie du savoir

[...] Nous disons que l'autorité est en crise parce que nous passons d'une société hiérarchique, verticale, à une société plus transversale, notamment grâce aux réseaux comme Internet. Tout ne coule plus du haut vers le bas, de celui qui sait vers l'ignorant. Les relations parent-enfant, maître-élève, État-citoyen... sont à reconstruire.

Les puissants supposés qui s'adressaient à des imbéciles supposés sont en voie d'extinction. Une nouvelle démocratie du savoir est en marche. Désormais, la seule autorité qui peut s'imposer est fondée sur la compétence. Si vous n'êtes pas investi de cette autorité-là, ce n'est pas la peine de devenir député, professeur, président, voire parent. Si vous n'êtes pas décidé à augmenter autrui, laissez toute autorité au vestiaire. L'autorité doit être une forme de fraternité qui vise à tous nous augmenter. [...].

Document 3 : « Les Français, gaulois réfractaires à l'autorité au travail ? », GPMag.fr, écrit par la Rédaction, 29 mai 2019.

Selon une étude OpinionWay réalisée pour Dropbox auprès d'un échantillon de plus de 1000 Français, 88 % d'entre eux sont convaincus que trop de « petits chefs » abusent de leur autorité en entreprise – un point de vue partagé par toutes les tranches d'âge en proportion similaire.

S'ils la reconnaissent comme nécessaire pour réussir en entreprise (77 %), une majorité de Français admet qu'elle peut créer de l'anxiété chez les salariés (59 %) et 39 % qu'elle peut nuire à la productivité. L'autorité tient toujours cependant une place prépondérante en entreprise : 8 Français sur 10 estiment que les salariés respectent l'autorité en entreprise, et 30 % affirment qu'elle est désormais inexistante. Les Français ne sont donc pas des « gaulois réfractaires » à toute forme d'autorité en entreprise, mais veulent la réinventer.

Le nouveau visage de l'autorité en entreprise

Si l'idée qu'un chef « est fait pour cheffer » semble être moins prégnante qu'il y a quelques années, la prise de décision caractérise encore l'exercice de l'autorité pour la majorité des Français (60%), devant la capacité à faire respecter les règles (45%). Assumer cette autorité, c'est donc être décisionnaire et se montrer garant des règles de l'entreprise, bien davantage que pouvoir donner des ordres (19%), assurer la relation avec les clients (18%), ou faire respecter la hiérarchie (25%).

Les Français rejettent désormais les sources traditionnelles d'autorité en entreprise au profit d'une légitimité basée sur la compétence. Le respect des salariés d'une forme d'autorité est donc conditionné par la légitimité qu'ils lui reconnaissent. Les sources traditionnelles de légitimité telles que l'âge (8%), le titre (11%), les diplômes (13%) et même la détention du capital de l'entreprise (10%) ont fait place à la compétence (72%), désormais seule source consensuelle de légitimité à exercer l'autorité. Le

leadership, c'est-à-dire la capacité à mobiliser les personnes et les ressources, arrive en deuxième position avec 30% de réponses positives.

Confiance et autonomie, les maîtres mots d'une nouvelle forme d'autorité

Plus de neuf Français sur dix (92%) sont convaincus que l'exercice de l'autorité est amené à évoluer. Cette évolution devra passer par un meilleur partage de l'autorité, au bénéfice des salariés. 8 Français sur 10 estiment que les collaborateurs devraient pouvoir contribuer davantage à la définition des missions prioritaires liées à leur poste (79%), ou encore à la façon de travailler avec leurs collègues (79%). 7 Français sur 10 souhaitent également que les salariés jouent un rôle plus important dans le choix des outils informatiques qu'ils aimeraient utiliser (72%), dans la définition de la culture de leur entreprise (71%) et qu'ils aient plus d'autorité en ce qui concerne leur temps de travail (70%).

Pour permettre cette évolution, les Français comptent sur une relation de confiance mutuelle salarié/employeur (19%). L'autorité devra aussi à leurs yeux récompenser davantage le mérite (13%), et impliquer davantage le salarié dans la prise de décision (13%). Les Français ne souhaitent donc pas reprendre le pouvoir face à leur employeur, mais être mieux associés aux décisions qui les affectent, dans une forme de partenariat reposant sur la confiance et la bonne foi.

À l'heure où les injonctions à l'autonomie des travailleurs se fait de plus en plus courante, il semble que les Français ont intégré ce besoin, mais réclament désormais les moyens de le mettre en œuvre. « Cette étude montre que les mentalités et les pratiques ont déjà changé - affirme Thibaut Champey, Directeur Général France de Dropbox. Les salariés fondent désormais l'autorité sur la compétence plutôt que sur le statut. Ils estiment aussi être les mieux placés pour savoir comment optimiser la collaboration avec leurs collègues, ou de quels outils informatiques ils ont besoin pour réaliser leurs missions, et demandent qu'on leur fasse confiance. Il est capital de le comprendre pour leur apporter des solutions pertinentes, leur permettant d'assumer au mieux ce nouveau rôle. C'est une vraie révolution culturelle au travail, que nous soutenons et accompagnons ».

Document 4 : Anne Rodier, « S'inspirant des entreprises dites 'libérées', certaines entreprises éliminent le manager », *Le Monde*, 16 octobre 2019.

Les managers français, débordés, stressés, démotivés, sont assez pessimistes sur l'avenir de leur fonction : « 38 % pensent qu'elle aura disparu d'ici cinq à dix ans », indique une étude du Boston Consulting Group publiée fin septembre. Ils n'ont peut-être pas complètement tort.

Au nom de l'« agilité », qui est au management ce que le numérique est à la technologie, de nouveaux modes d'organisation du travail se diffusent dans les entreprises depuis les années 2000, recomposant les chaînes de décision. « Big bang », « essaimage » ou « redéploiement par pôle », font voler en éclat l'organigramme d'hier, relate le Livre blanc des DRH édité au printemps par le cabinet de conseils Julhiet Sterwen, spécialisé en transformation des entreprises.

Le mode classique de gestion des entreprises « a atteint ses limites », affirmait dès 2014 l'auteur du best-seller *Reinventing Organizations*. Frédéric Laloux annonçait ni plus ni moins un changement d'ère dans la gouvernance et l'émergence d'une nouvelle façon de voir la collaboration : « Une organisation où des millions d'acteurs se coordonnent fonctionne mieux qu'une pyramide, disait-il. Mais ça nécessite qu'on réinvente l'ensemble des pratiques et des processus de décision. Il faut des structures, mais pas forcément des boss. ».

Des strates de managers sont supprimées, jusque dans les entreprises les plus classiques du monde industriel. Saint-Gobain a ainsi repensé son organisation [...]. « Pour améliorer le management, pour que la circulation de l'information soit plus fluide, nous avons supprimé trois niveaux hiérarchiques en 2019. Nous incitons les salariés à travailler en groupe », explique Régis Bluegeon, le DRH France du groupe industriel.

Les salariés ne s'y retrouvent pas toujours : « 67 % des managers estiment que depuis deux ans le management a évolué vers des méthodes plus collaboratives, mais seuls 44 % des salariés partagent cet avis », indique l'Observatoire du management dans son baromètre annuel paru le 11 octobre.

Les organisations sont repensées pour être davantage tournées vers les usagers ou les clients. S'inspirant des entreprises dites « libérées », certains éliminent le « manager ». « Dans notre organisation, on a enlevé le comité de direction et on a remplacé les hiérarchies par des rôles : de leader de communauté, de référent, de facilitateur de ventes », témoigne Marc Sabatier, directeur général de Julhiet Sterwen.

Contre-exemple chez Air liquide, où l'on est revenu du concept de « hiérarchie plate », testé il y a une vingtaine d'années et jugé « trop coûteux ». Mais les responsabilités ont bien été redéployées en réseau

au niveau mondial. Cinq « hubs » (sièges délocalisés) ont été créés avec leurs « clusters », qui sont des regroupements de certaines fonctions entièrement autonomes.
Conjuguer individualisation et collaboration est tout l'enjeu des réorganisations en « rôle », en « pôle » ou en « hub », dans lesquelles le manager ne passe pas forcément à la trappe.

CONCOURS DE RECRUTEMENT D'ÉLÈVES
INGÉNIEURS ÉLECTRONICIENS DES SYSTÈMES DE LA SÉCURITÉ
AÉRIENNE

I.E.S.S.A.

ÉPREUVE OBLIGATOIRE DE MATHÉMATIQUES

Durée : 2 heures

Coefficient : 3

CALCULATRICE NON AUTORISÉE



Cette épreuve comporte :

- 1 page de garde (recto)
- 2 pages d'instructions pour remplir le QCM (recto verso)
- 12 pages de sujet numérotées de 1 à 12 (20 questions) (recto verso)
- Certaines questions font partie d'un même exercice. La liste en est donnée ci-dessous :

- ↪ 1 à 8
- ↪ 9 à 12
- ↪ 13 à 16
- ↪ 17 à 20

ÉPREUVE OBLIGATOIRE DE MATHÉMATIQUES

A LIRE TRÈS ATTENTIVEMENT

L'épreuve écrite obligatoire de Mathématiques de ce concours est un questionnaire à choix multiple qui sera corrigé informatiquement.

- 1) Pour remplir ce QCM, vous devez utiliser un stylo à bille ou feutre à encre foncée bleue ou noire. Vous devez **cocher** la case en vue de la lecture informatisée de votre QCM.
- 2) Utilisez le sujet comme brouillon (ou les feuilles de brouillon qui vous seront fournies à la demande par le (la) surveillant(e) qui s'occupe de votre rangée) et ne retranscrivez vos réponses qu'après vous être relu soigneusement.
- 3) Votre QCM ne doit pas être souillé, froissé, plié, écorné ou porter des inscriptions superflues, sous peine d'être rejeté informatiquement et de ne pas être corrigé.
- 4) Si vous voulez **corriger** votre réponse, n'utilisez pas de correcteur mais indiquez la nouvelle réponse sur la 2^{ème} ligne.
- 5) Cette épreuve comporte 20 questions obligatoires, certaines, de numéros consécutifs, peuvent être liées. La liste de ces questions est donnée sur la page de garde du sujet.

Chaque question comporte au plus deux réponses exactes.

- 6) A chaque question numérotée entre 1 et 20, correspond sur la feuille-réponses une ligne de cases qui porte le même numéro (les lignes de 21 à 80 sont neutralisées). Chaque ligne comporte 5 cases A, B, C, D, E.

Pour chaque ligne numérotée de 1 à 20, vous vous trouvez en face de 4 possibilités :

- ▶ soit vous décidez de ne pas traiter cette question,
la ligne correspondante doit rester vierge.
- ▶ soit vous jugez que la question comporte une seule bonne réponse :
vous devez cocher l'une des cases A, B, C, D.
- ▶ soit vous jugez que la question comporte deux réponses exactes :
*vous devez cocher deux des cases A, B, C, D et **deux seulement.***
- ▶ soit vous jugez qu'aucune des réponses proposées A, B, C, D n'est bonne :
vous devez alors cocher la case E.

Attention, toute réponse fausse peut entraîner pour la question correspondante une pénalité dans la note.

ÉCOLE NATIONALE DE L'AVIATION CIVILE

7) EXEMPLES DE RÉPONSES

Question 1 : $1^2 + 2^2$ vaut :
A) 3 B) 5 C) 4 D) -1

Question 2 : le produit (-1) (-3) vaut :
A) -3 B) -1 C) 4 D) 0

Question 3 : Une racine de l'équation $x^2 - 1 = 0$ est :
A) 1 B) 0 C) -1 D) 2

Vous marquez sur la feuille réponse :

1 -

<input type="checkbox"/>	<input checked="" type="checkbox"/>	<input type="checkbox"/>	<input type="checkbox"/>	<input type="checkbox"/>
A	B	C	D	E
<input type="checkbox"/>	<input type="checkbox"/>	<input type="checkbox"/>	<input type="checkbox"/>	<input type="checkbox"/>

2 -

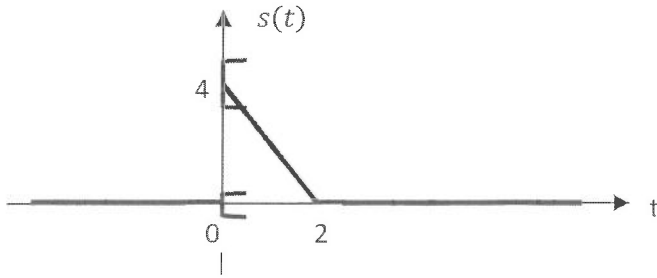
<input type="checkbox"/>	<input type="checkbox"/>	<input type="checkbox"/>	<input type="checkbox"/>	<input checked="" type="checkbox"/>
A	B	C	D	E
<input type="checkbox"/>	<input type="checkbox"/>	<input type="checkbox"/>	<input type="checkbox"/>	<input type="checkbox"/>

3 -

<input checked="" type="checkbox"/>	<input type="checkbox"/>	<input checked="" type="checkbox"/>	<input type="checkbox"/>	<input type="checkbox"/>
A	B	C	D	E
<input type="checkbox"/>	<input type="checkbox"/>	<input type="checkbox"/>	<input type="checkbox"/>	<input type="checkbox"/>

PARTIE I

On considère le signal $s(t)$ représenté ci-dessous :



Question 1

L'expression de $s(t)$ est donnée par :

$$A) s(t) = \begin{cases} 0 & \text{si } t \leq 0 \\ -2t & \text{si } 0 < t < 2 \\ 0 & \text{si } t > 2 \end{cases}$$

$$B) s(t) = \begin{cases} 0 & \text{si } t \leq 0 \\ -2t + 4 & \text{si } 0 < t \leq 2 \\ 0 & \text{si } t > 2 \end{cases}$$

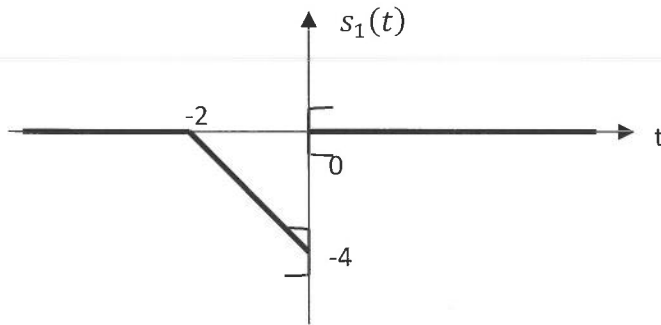
$$C) s(t) = \begin{cases} 0 & \text{si } t < 0 \\ -2t + 4 & \text{si } 0 < t < 2 \\ 0 & \text{si } t \geq 2 \end{cases}$$

$$D) s(t) = \begin{cases} 0 & \text{si } t \leq 0 \\ -2t + 4 & \text{si } 0 < t < 2 \\ 0 & \text{si } t > 2 \end{cases}$$

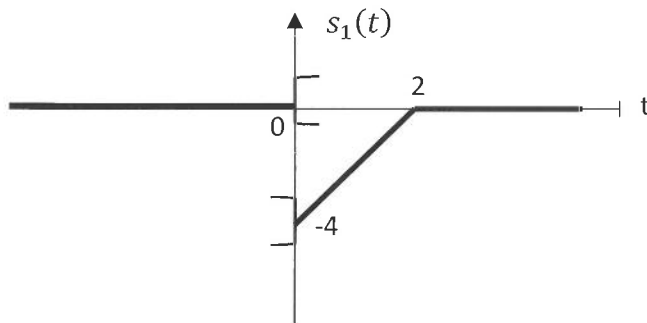
Question 2

On représente graphiquement $s_1(t) = s(-t)$ par :

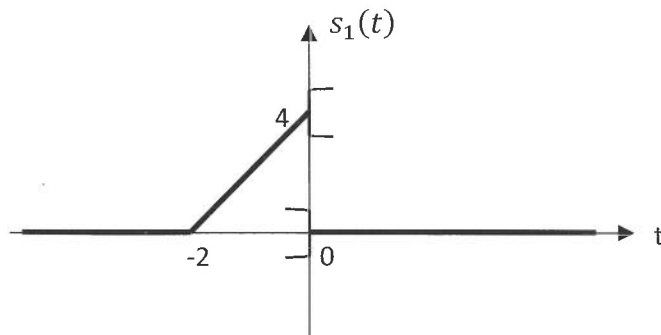
A)



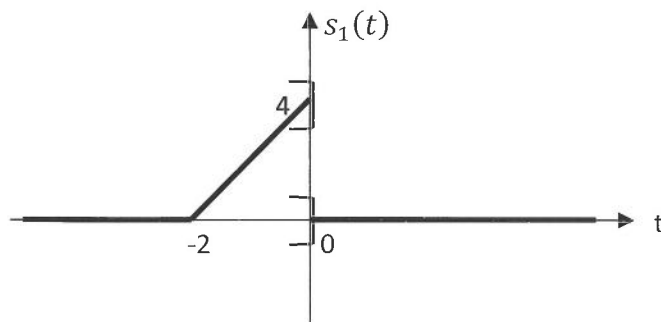
B)



C)

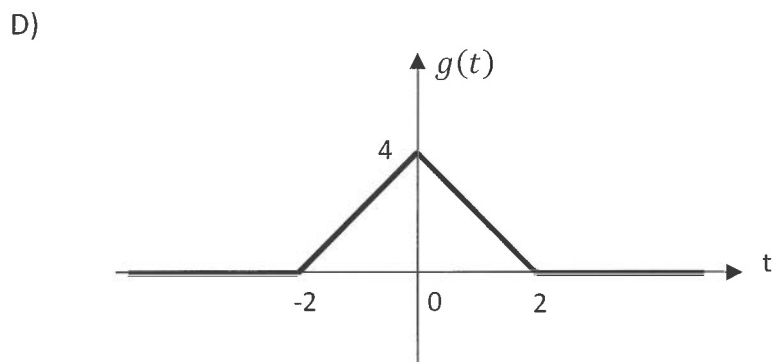
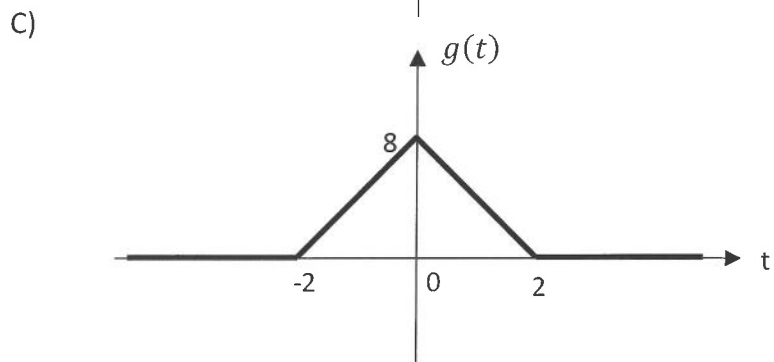
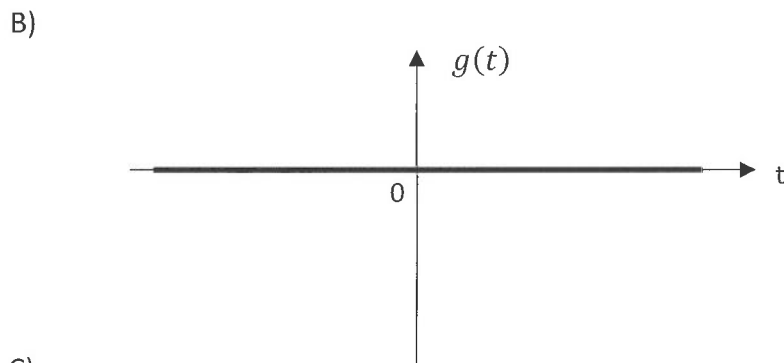
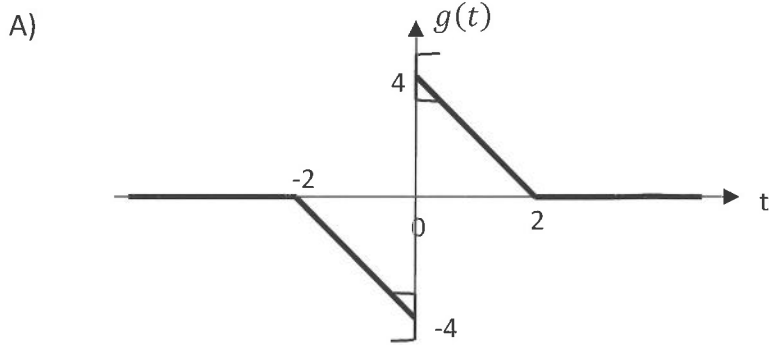


D)



Question 3

On représente graphiquement la fonction g définie par $g(t) = s(t) + s(-t)$. Cette représentation graphique est la suivante :



Question 4

- A) La fonction $g(t)$ est paire car sa courbe représentative est symétrique par rapport à l'axe des ordonnées
- B) La fonction $g(t)$ est paire car sa courbe représentative est symétrique par rapport à l'axe des abscisses
- C) La fonction $g(t)$ est paire car $g(-t) = g(t)$
- D) La fonction $g(t)$ est paire car $g(-t) = -g(t)$

Question 5

On rappelle que la définition de la transformée de Fourier $H(f)$ d'un signal $h(t)$ est donnée par :

$$H(f) = \int_{-\infty}^{+\infty} h(t)e^{-2i\pi ft} dt$$

- A) Pour un signal $h(t)$ pair, on peut écrire :

$$H(f) = 2 \int_0^{+\infty} h(t) \cos(2\pi ft) dt$$

- B) Pour un signal $h(t)$ pair, on peut écrire :

$$H(f) = \int_0^{+\infty} h(t) \cos(2\pi ft) dt$$

- C) Pour un signal $h(t)$ impair, on peut écrire :

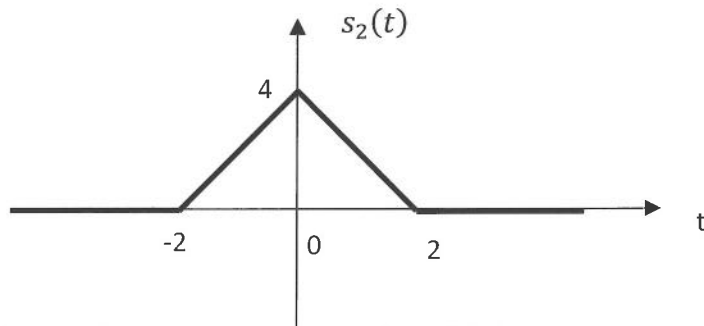
$$H(f) = 2 \int_0^{+\infty} h(t) \sin(2\pi ft) dt$$

- D) Pour un signal $h(t)$ impair, on peut écrire :

$$H(f) = \int_{-\infty}^{+\infty} h(t) \sin(2\pi ft) dt$$

Question 6

On considère le signal $s_2(t)$ représenté ci-dessous :



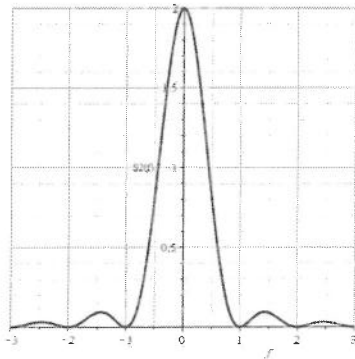
Le calcul de la transformation de Fourier de $s_2(t)$ donne :

- A) $S_2(f) = 2\text{sinc}^2(\pi f)$
- B) $S_2(f) = 8\text{sinc}^2(2\pi f)$
- C) $S_2(f) = 4\text{sinc}^2(2\pi f)$
- D) $S_2(f) = 2\text{sinc}^2\left(\frac{\pi f}{2}\right)$

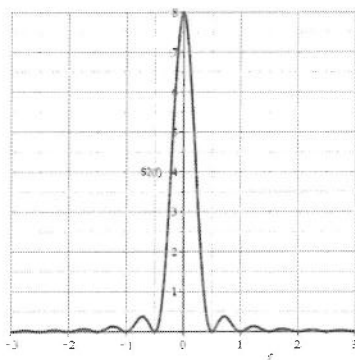
Question 7

Le spectre de $s_2(t)$ est alors :

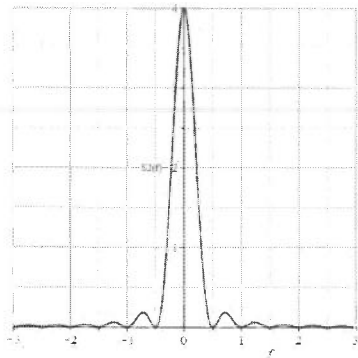
A)



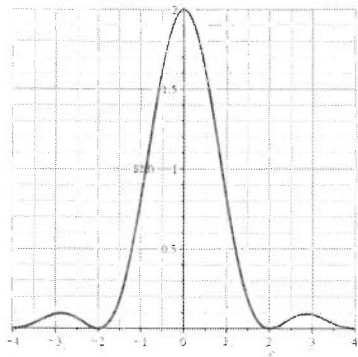
B)



C)



D)



Question 8

On considère l'intégrale $I = \int_{-\infty}^{+\infty} s_2^2(t) dt$

En calculant I , on obtient :

- A) $I = \frac{32}{3}$
- B) $I = \frac{64}{3}$
- C) $I = 64$
- D) $I = 32$

PARTIE II

On considère les deux nombres complexes suivants :

$z_1 = x_1 + iy_1$ où x_1 est un nombre réel strictement positif et y_1 un nombre réel quelconque,

$z_2 = r_2 e^{-i\theta_2}$ où r_2 est un nombre réel strictement positif et θ_2 un nombre réel.

Question 9

La partie réelle de $z_3 = z_1 \times z_2$ est déterminée par :

- A) $Re(z_3) = x_1 \times r_2$
- B) $Re(z_3) = x_1 \times r_2 \cos(\theta_2)$
- C) $Re(z_3) = -x_1 \times r_2 \cos(\theta_2) + y_1 \times r_2 \sin(\theta_2)$
- D) $Re(z_3) = x_1 \times r_2 \cos(\theta_2) + y_1 \times r_2 \sin(\theta_2)$

Question 10

Un argument de $z_4 = \frac{z_1}{z_2}$ est déterminé par :

- A) $Arg(z_4) = Arctan\left(\frac{x_1}{y_1}\right) - \theta_2$
- B) $Arg(z_4) = Arctan\left(\frac{y_1}{x_1}\right) - \theta_2$
- C) $Arg(z_4) = Arctan\left(\frac{y_1}{x_1}\right) + \theta_2$
- D) $Arg(z_4) = Arctan\left(\frac{x_1}{y_1}\right) + \theta_2$

Question 11

Le module de $z_5 = z_1 + z_2$ est déterminé par :

- A) $|z_5| = \sqrt{x_1^2 + y_1^2} + r_2$
- B) $|z_5| = \sqrt{x_1^2 + y_1^2 + r_2^2 + 2r_2(x_1 \cos(\theta_2) - y_1 \sin(\theta_2))}$
- C) $|z_5| = \sqrt{x_1^2 + y_1^2 + r_2^2 + 2r_2(x_1 \cos(\theta_2) + y_1 \sin(\theta_2))}$
- D) $|z_5| = x_1 + y_1 + r_2 + \sqrt{2r_2(x_1 \cos(\theta_2) - y_1 \sin(\theta_2))}$

Question 12

Le module de $z_6 = e^{z_1}$ est déterminé par :

- A) $|z_6| = 1$
- B) $|z_6| = e^{x_1}$
- C) $|z_6| = e^{z_1}$
- D) $|z_6| = e^{x_1+y_1}$

PARTIE III

On considère l'équation différentielle suivante :

$$y'' + y' + ay = \sin(2t)$$

où a est un réel non nul.

Question 13

L'équation caractéristique associée à cette équation différentielle admet :

- A) $r_1 = \frac{-1-\sqrt{1-4a}}{2}$ et $r_2 = \frac{-1+\sqrt{1-4a}}{2}$ comme solutions réelles
- B) $r_1 = \frac{-1-\sqrt{1-4a}}{2a}$ et $r_2 = \frac{-1+\sqrt{1-4a}}{2a}$ comme solutions réelles
- C) $r_1 = \frac{\sqrt{1-4a}-1}{2}$ et $r_2 = \frac{1+\sqrt{1-4a}}{2}$ comme solutions réelles si $a < \frac{1}{4}$
- D) $r_1 = \frac{-1-\sqrt{1-4a}}{2}$ et $r_2 = \frac{-1+\sqrt{1-4a}}{2}$ comme solutions réelles si $a < \frac{1}{4}$

Question 14

La solution de l'équation différentielle sans second membre est donnée :

- A) $y_{ESSM}(t) = e^{-\frac{1}{2}t} \left(\lambda_1 \cos\left(\frac{\sqrt{4a-1}}{2}t\right) + \lambda_2 \sin\left(\frac{\sqrt{4a-1}}{2}t\right) \right)$ où λ_1 et λ_2 sont des constantes réelles, pour toutes les valeurs de a réelles non nulles.
- B) $y_{ESSM}(t) = e^{\frac{1}{2}t} \left(\lambda_1 \cos\left(\frac{\sqrt{4a-1}}{2}t\right) + \lambda_2 \sin\left(\frac{\sqrt{4a-1}}{2}t\right) \right)$ où λ_1 et λ_2 sont des constantes réelles, pour toutes les valeurs de a réelles non nulles.
- C) $y_{ESSM}(t) = e^{-\frac{1}{2}t} \left(\lambda_1 \cos\left(\frac{\sqrt{4a-1}}{2}t\right) + \lambda_2 \sin\left(\frac{\sqrt{4a-1}}{2}t\right) \right)$ où λ_1 et λ_2 sont des constantes réelles, pour toutes les valeurs de a réelles non nulles.
- D) $y_{ESSM}(t) = e^{-\frac{1}{2}t} \left(\lambda_1 \cos\left(\frac{\sqrt{4a-1}}{2}t\right) + \lambda_2 \sin\left(\frac{\sqrt{4a-1}}{2}t\right) \right)$ où λ_1 et λ_2 sont des constantes réelles, pour toutes les valeurs de a supérieures à $1/4$.

Question 15

On suppose dans cette question que $a = 2$.

Une solution particulière de l'équation différentielle est alors déterminée par :

- A) $y_p(t) = \sin(2t) + \cos(2t)$
- B) $y_p(t) = \frac{-1}{2}\sin(2t) - \frac{1}{2}\cos(2t)$
- C) $y_p(t) = \frac{-1}{4}\sin(2t) - \frac{1}{4}\cos(2t)$
- D) $y_p(t) = \frac{1}{2}\sin(2t)$

Question 16

On suppose dans cette question que $a = 2$, et on cherche la solution de l'équation différentielle qui vérifie $y(0) = 0$ et $y'(0) = 0$. Cette solution est alors la suivante :

- A) $y(t) = e^{-\frac{1}{2}t} \left(\frac{1}{4} \cos\left(\frac{\sqrt{7}}{2}t\right) + \frac{5}{4\sqrt{7}} \sin\left(\frac{\sqrt{7}}{2}t\right) \right)$
- B) $y(t) = e^{-\frac{1}{2}t} \left(\frac{1}{2} \cos\left(\frac{\sqrt{7}}{2}t\right) + \frac{5\sqrt{7}}{4} \sin\left(\frac{\sqrt{7}}{2}t\right) \right) - \frac{1}{2}\sin(2t) + \frac{1}{2}\cos(2t)$
- C) $y(t) = e^{-\frac{1}{2}t} \left(\frac{1}{4} \cos\left(\frac{\sqrt{7}}{2}t\right) + \frac{5\sqrt{7}}{28} \sin\left(\frac{\sqrt{7}}{2}t\right) \right) - \frac{1}{4}\sin(2t) - \frac{1}{4}\cos(2t)$
- D) $y(t) = e^{-\frac{1}{2}t} \left(\cos\left(\frac{\sqrt{7}}{2}t\right) + \frac{5}{\sqrt{7}} \sin\left(\frac{\sqrt{7}}{2}t\right) \right) - \cos(2t) - \sin(2t)$

PARTIE IV

On considère la fonction f définie sur $]-\infty; -1]$ par $f(t) = \frac{t+1}{2t^2-t-1}$

Question 17

- A) La fonction f est croissante sur $]-\infty; -1]$
- B) La fonction f est croissante sur $]-\infty; -2]$
- C) La fonction f est décroissante sur $]-\infty; -1]$
- D) La fonction f est décroissante sur $]-\infty; -2]$

Question 18

La décomposition en éléments simples dans \mathbb{R} de $f(t)$ s'écrit :

- A) $f(t) = \frac{-1}{t+\frac{1}{2}} + \frac{\frac{2}{3}}{t+1}$
- B) $f(t) = \frac{-1}{t+\frac{1}{2}} + \frac{\frac{2}{3}}{t+1}$
- C) $f(t) = \frac{-1}{t+\frac{1}{2}} + \frac{\frac{2}{3}}{t-1}$
- D) $f(t) = \frac{-1}{t+\frac{1}{2}} + \frac{\frac{2}{3}}{t-1}$

Question 19

Le calcul de l'intégrale $J = \int_{-6}^{-2} f(t)dt$ donne :

- A) $J = \frac{1}{3} \ln\left(\frac{11}{3}\right) + \frac{2}{3} \ln\left(\frac{3}{7}\right)$
- B) $J = \frac{1}{6} \ln\left(\frac{11}{3}\right) + \frac{2}{3} \ln\left(\frac{3}{7}\right)$
- C) $J = \frac{1}{3} \ln\left(\frac{3}{11}\right) + \frac{2}{3} \ln\left(\frac{7}{3}\right)$
- D) $J = \frac{1}{6} \ln\left(\frac{3}{11}\right) + \frac{2}{3} \ln\left(\frac{7}{3}\right)$

Question 20

L'intégrale généralisée $\int_{-\infty}^{-2} f(t) dt$:

- A) Converge vers 0
- B) Converge car $f(t)$ tend vers 0 quand t tend vers $-\infty$
- C) Converge car J est une valeur finie
- D) Diverge

CONCOURS DE RECRUTEMENT D'ÉLÈVES
INGÉNIEURS ÉLECTRONICIENS DES SYSTÈMES DE LA SÉCURITÉ
AÉRIENNE

I.E.S.S.A.

PHYSIQUE APPLIQUEE
(ÉPREUVE OBLIGATOIRE A OPTION)

Durée : 4 heures

Coefficient : 6

TOUT DISPOSITIF ELECTRONIQUE EST INTERDIT EN
PARTICULIER L'USAGE DE LA CALCULATRICE



Cette épreuve comporte :

- 1 page de garde (recto)
- 2 pages d'instructions pour remplir le Q.C.M. (recto verso)
- 18 pages de sujet (recto verso) numérotées de 1 à 18

ÉPREUVE TECHNIQUE OBLIGATOIRE A OPTION PHYSIQUE APPLIQUÉE

A LIRE TRÈS ATTENTIVEMENT

L'épreuve obligatoire à option Physique Appliquée de ce concours est un questionnaire à choix multiple qui sera corrigé informatiquement.

- 1) Pour remplir ce QCM, vous devez utiliser un stylo à bille ou feutre à encre foncée bleue ou noire. Vous devez **cocher** la case en vue de la lecture informatisée de votre QCM.
- 2) Utilisez le sujet comme brouillon (ou les feuilles de brouillon qui vous seront fournies à la demande par le (la) surveillant(e) qui s'occupe de votre rangée) et ne retranscrivez vos réponses qu'après vous être relu soigneusement.
- 3) Votre QCM ne doit pas être souillé, froissé, plié, écorné ou porter des inscriptions superflues, sous peine d'être rejeté informatiquement et de ne pas être corrigé.
- 4) Si vous voulez **modifier** votre réponse, n'utilisez pas de correcteur mais indiquez la nouvelle réponse sur la 2^{ème} ligne.
- 5) A chaque question numérotée entre 1 et 48, correspond sur la feuille-réponses une ligne de cases qui porte le même numéro (les lignes de 49 à 80 seront neutralisées).

Chaque question comporte au plus deux réponses exactes.

- 6) A chaque question numérotée entre 1 et 48, correspond sur la feuille-réponses une ligne de cases qui porte le même numéro. Chaque ligne comporte 5 cases, A, B, C, D, E.

Pour chaque ligne numérotée de 1 à 48, vous vous trouverez en face de 4 possibilités :

- ▶ soit vous décidez de ne pas traiter cette question,
la ligne correspondante doit rester vierge.
- ▶ soit vous jugez que la question comporte une seule bonne réponse :
vous devez cocher l'une des cases A, B, C, D.
- ▶ soit vous jugez que la question comporte deux réponses exactes :
*vous devez cocher deux des cases A, B, C, D et **deux seulement**.*
- ▶ soit vous jugez qu'aucune des réponses proposées A, B, C, D n'est bonne :
vous devez alors cocher la case E.

Attention, toute réponse fausse peut entraîner pour la question correspondante une pénalité dans la note.

7) EXEMPLE DE RÉPONSES :

1) Un solénoïde de longueur L est constitué de N spires circulaires jointives de rayon a parcourues par un courant I . On supposera que L est très supérieur à a .

La norme du champ magnétique créé à l'intérieur, notée B_{int} , est :

- A) $B_{\text{int}} = \mu_0 \frac{N}{L} I$ B) $B_{\text{int}} = \mu_0 \frac{N}{a} I$ C) $B_{\text{int}} = \mu_0 N I$ D) $B_{\text{int}} = \frac{N}{\mu_0} I$

2) Les lignes de champ magnétique créées par ce courant sont :

- A) des cercles B) des droites

et la circulation du champ magnétique le long d'une ligne de champ magnétique est

- C) non nulle. D) nulle.

3) La norme du champ magnétique créé à l'extérieur, notée B_{ext} , est :

- A) $B_{\text{ext}} = \mu_0 \frac{N}{L} I$ B) $B_{\text{ext}} = \mu_0 \frac{N}{a} I$ C) $B_{\text{ext}} = \mu_0 N I$ D) $B_{\text{ext}} = \frac{N}{\mu_0} I$

Vous marquez sur la feuille réponse :

1-

<input checked="" type="checkbox"/>	<input type="checkbox"/>	<input type="checkbox"/>	<input type="checkbox"/>	<input type="checkbox"/>
A	B	C	D	E
<input type="checkbox"/>	<input type="checkbox"/>	<input type="checkbox"/>	<input type="checkbox"/>	<input type="checkbox"/>

2-

<input type="checkbox"/>	<input checked="" type="checkbox"/>	<input checked="" type="checkbox"/>	<input type="checkbox"/>	<input type="checkbox"/>
A	B	C	D	E
<input type="checkbox"/>	<input type="checkbox"/>	<input type="checkbox"/>	<input type="checkbox"/>	<input type="checkbox"/>

3-

<input type="checkbox"/>	<input type="checkbox"/>	<input type="checkbox"/>	<input type="checkbox"/>	<input checked="" type="checkbox"/>
A	B	C	D	E
<input type="checkbox"/>	<input type="checkbox"/>	<input type="checkbox"/>	<input type="checkbox"/>	<input type="checkbox"/>

Le sujet comporte sept parties totalement indépendantes :

- partie I questions de 1 à 10
- partie II questions de 11 à 18
- partie III questions de 19 à 26
- partie IV questions de 27 à 32
- partie V questions de 33 à 38
- partie VI questions de 39 à 43
- partie VII questions de 44 à 48

NOTATIONS

Permittivité électrique du vide : ϵ_0

Perméabilité magnétique du vide : μ_0

PARTIE I

Une bille sphérique, pleine, homogène, de rayon a et de masse volumique ρ chute dans un fluide de masse volumique ρ_f ($\rho_f < \rho$) et de viscosité η .

Le référentiel (O, x, y, z) lié au fluide est supposé galiléen.

Le champ de pesanteur est supposé uniforme :

$$\vec{g} = g \vec{e}_z \quad \text{avec } g > 0.$$

La vitesse de la bille s'écrit : $\vec{v} = v(t) \vec{e}_z$.

Lors de sa chute, elle est soumise à une force de frottement de la forme $\vec{F}_f = -6 \pi \eta a \vec{v}$.

Question 1 :

L'équation différentielle vérifiée par la vitesse s'écrit :

- A) $\frac{dv}{dt} + \frac{9 \eta}{2 a^2 \rho} v = \left(1 - \frac{\rho_f}{\rho}\right) g$ B) $\frac{dv}{dt} + \frac{9 \eta}{2 a^2 \rho} v = g$
- C) $\frac{dv}{dt} + \frac{9 \eta}{2 a^2 \rho} v = \left(-1 + \frac{\rho_f}{\rho}\right) g$ D) $\frac{dv}{dt} + \frac{9 \eta}{2 a^2 \rho} v = -g$

Question 2 :

La vitesse limite, v_{lim} , atteinte par la bille a pour expression :

- A) $v_{\text{lim}} = -\frac{2 a^2 (\rho - \rho_f) g}{9 \eta}$ B) $v_{\text{lim}} = \frac{2 a^2 \rho g}{9 \eta}$
- C) $v_{\text{lim}} = \frac{2 a^2 (\rho - \rho_f) g}{9 \eta}$ D) $v_{\text{lim}} = -\frac{2 a^2 \rho g}{9 \eta}$

Question 3 :

A l'instant initial, $t = 0$, la bille est immobile et son centre de masse G est placé en O .

La vitesse de la bille au cours de sa chute s'écrit $v = v_{\text{lim}} \left(1 - e^{-\frac{t}{\tau}}\right)$ où la constante de temps, τ , a pour expression :

- A) $\tau = \frac{9 \eta}{2 a^2 \rho}$ B) $\tau = \frac{2 a^2 \rho}{9 \eta}$

Au bout de 3τ , la vitesse de la vitesse de la bille atteint :

- C) environ 63 % de sa valeur limite. D) environ 95 % de sa valeur limite.

Question 4 :

On pose $\overrightarrow{OG} = z_G \vec{e}_z$. La position z_G du centre de masse a pour expression :

- A) $z_G = v_{\text{lim}} \tau \left(1 - e^{-\frac{t}{\tau}}\right)$ B) $z_G = -v_{\text{lim}} \tau \left(1 - e^{-\frac{t}{\tau}}\right)$
 C) $z_G = v_{\text{lim}} t + v_{\text{lim}} \tau \left(1 - e^{-\frac{t}{\tau}}\right)$ D) $z_G = v_{\text{lim}} t - v_{\text{lim}} \tau \left(1 - e^{-\frac{t}{\tau}}\right)$

Dans les questions suivantes de la partie I, la bille, de masse m , est maintenant accrochée à un ressort sans masse, à spires non jointives, de longueur à vide L_0 et de raideur k dont l'autre extrémité est attachée au point O.

Question 5 :

A l'équilibre, la longueur du ressort, notée $L_{\text{éq}}$, a pour expression :

- A) $L_{\text{éq}} = L_0 + \frac{3k}{4\pi a^3 \rho g}$ B) $L_{\text{éq}} = L_0 + \frac{4\pi a^3 \rho g}{3k}$
 C) $L_{\text{éq}} = L_0 + \frac{4\pi a^3 (\rho - \rho_f) g}{3k}$ D) $L_{\text{éq}} = L_0$

Question 6 :

Pour repérer le centre de masse de la bille, on choisit une nouvelle origine de l'axe des z à cette position d'équilibre. G est alors repéré par z' où $\overrightarrow{OG} = (L_{\text{éq}} + z') \vec{e}_z$.

L'équation différentielle vérifiée par z' est :

- A) $\frac{d^2 z'}{dt^2} + \frac{9\eta}{2a^2 \rho} \frac{dz'}{dt} - \frac{3k}{4\pi a^3 \rho} z' = g - \frac{3k}{4\pi a^3 \rho} L_0$
 B) $\frac{d^2 z'}{dt^2} + \frac{9\eta}{2a^2 \rho} \frac{dz'}{dt} + k z' = g + k L_0$
 C) $\frac{d^2 z'}{dt^2} + \frac{9\eta}{2a^2 \rho} \frac{dz'}{dt} + \frac{3k}{4\pi a^3 \rho} z' = \left(-1 + \frac{\rho_f}{\rho}\right) g + \frac{3k}{4\pi a^3 \rho} L_0$
 D) $\frac{d^2 z'}{dt^2} + \frac{9\eta}{2a^2 \rho} \frac{dz'}{dt} + \frac{3k}{4\pi a^3 \rho} z' = \left(1 - \frac{\rho_f}{\rho}\right) g + \frac{3k}{4\pi a^3 \rho} L_0$

Question 7 :

Le régime est critique si la raideur du ressort, notée k_c , a pour expression :

$$A) \quad k_c = \frac{27 \pi \eta^2}{4 (\rho - \rho_f) a}$$

$$B) \quad k_c = \frac{27 \pi \eta^2}{(\rho - \rho_f) a}$$

$$C) \quad k_c = \frac{27 \pi \eta^2}{4 \rho a}$$

$$D) \quad k_c = \frac{27 \pi \eta^2}{\rho a}$$

Question 8 :

Si $k < k_c$, le régime est

A) apériodique.

B) pseudopériodique.

Si $k > k_c$, le régime est

C) apériodique.

D) pseudopériodique.

Question 9 :

Dans le cas d'un régime pseudopériodique $z'(t)$ s'écrit $z'(t) = A e^{-\frac{t}{\tau'}} \cos(\Omega' t + \varphi)$.
 τ' a pour expression :

$$A) \quad \tau' = \frac{9 \eta}{2 a^2 \rho}$$

$$B) \quad \tau' = \frac{2 a^2 \rho}{9 \eta}$$

$$C) \quad \tau' = \frac{9 \eta}{4 a^2 \rho}$$

$$D) \quad \tau' = \frac{4 a^2 \rho}{9 \eta}$$

Question 10 :

Ω' a pour expression :

$$A) \quad \Omega' = \sqrt{\frac{3 (k - k_c)}{4 \pi a^3 \rho}}$$

$$B) \quad \Omega' = \sqrt{\frac{3 (k - k_c)}{4 \pi a^3 (\rho - \rho_f)}}$$

$$C) \quad \Omega' = \sqrt{\frac{3 (k_c - k)}{4 \pi a^3 \rho}}$$

$$D) \quad \Omega' = \sqrt{\frac{3 (k_c - k)}{4 \pi a^3 (\rho - \rho_f)}}$$

PARTIE III

En coordonnées cartésiennes, un point M a pour coordonnées (x, y, z).

$$\vec{OM} = x \vec{e}_x + y \vec{e}_y + z \vec{e}_z$$

Un carré, de sommets A, B, C, D, a pour centre O et pour côté 2a .

$$\begin{aligned} A(a, a, 0) \\ B(a, -a, 0) \\ C(-a, -a, 0) \\ D(-a, a, 0) \end{aligned}$$

On se place en régime stationnaire.

Dans les questions 19) et 20), en A, B, C et D sont placées des particules identiques de charge q.

Question 19 :

Le champ électrique en O a pour expression :

- A) $\vec{E}(O) = \vec{0}$ B) $\vec{E}(O) = \frac{q}{2 \pi \epsilon_0 a^2} \vec{e}_x$
C) $\vec{E}(O) = \frac{q}{2 \pi \epsilon_0 a^2} \vec{e}_y$ D) $\vec{E}(O) = \frac{q}{\pi \epsilon_0 a^2} \vec{e}_x$

Question 20 :

L'origine des potentiels est choisie à l'infini.

Le potentiel électrique en O a pour expression :

- A) $V(O) = 0$ B) $V(O) = \frac{q}{\pi \epsilon_0 a}$
C) $V(O) = \frac{q}{\pi \epsilon_0 \sqrt{2} a}$ D) $V(O) = \frac{q}{2 \pi \epsilon_0 a^2}$

Dans les questions 21) et 22), en A et B sont placées deux particules identiques de charge q, en C et D deux particules identiques de charge - q.

Question 21 :

Le champ électrique en O a pour expression :

- A) $\vec{E}(O) = \vec{0}$ B) $\vec{E}(O) = - \frac{q}{2 \pi \epsilon_0 a^2} \vec{e}_x$
C) $\vec{E}(O) = - \frac{q}{2 \sqrt{2} \pi \epsilon_0 a^2} \vec{e}_x$ D) $\vec{E}(O) = - \frac{q}{2 \pi \epsilon_0 a^2} \vec{e}_y$

Question 22 :

L'origine des potentiels est choisie à l'infini.
Le potentiel électrique en O a pour expression :

A) $V(O) = 0$

B) $V(O) = \frac{q}{\pi \epsilon_0 a}$

C) $V(O) = \frac{q}{\pi \epsilon_0 \sqrt{2} a}$

D) $V(O) = \frac{q}{2 \pi \epsilon_0 a^2}$

Dans les questions 23) et 24), en A et C sont placées deux particules identiques de charge q , en B et D deux particules identiques de charge $-q$.

Question 23 :

Le champ électrique en O a pour expression :

A) $\vec{E}(O) = \vec{0}$

B) $\vec{E}(O) = -\frac{q}{2 \pi \epsilon_0 a^2} \vec{e}_x$

C) $\vec{E}(O) = -\frac{q}{2 \sqrt{2} \pi \epsilon_0 a^2} \vec{e}_x$

D) $\vec{E}(O) = -\frac{q}{2 \pi \epsilon_0 a^2} \vec{e}_y$

Question 24 :

L'origine des potentiels est choisie à l'infini.
Le potentiel électrique en O a pour expression :

A) $V(O) = 0$

B) $V(O) = \frac{q}{\pi \epsilon_0 a}$

C) $V(O) = \frac{q}{\pi \epsilon_0 \sqrt{2} a}$

D) $V(O) = \frac{q}{2 \pi \epsilon_0 a^2}$

Question 25 :

La permittivité électrique du vide, ϵ_0 , a pour unité :

A) $F^{-1} \cdot m$

B) $F \cdot m$

C) $F^{-1} \cdot m^{-1}$

D) $F \cdot m^{-1}$

Question 26 :

L'ordre de grandeur de ϵ_0 dans le système international d'unités est :

A) 10^{-11}

B) 10^{-9}

C) 10^{-6}

D) 10^7

PARTIE IV

Un cylindre infini d'axe Oz et de rayon R est chargé uniformément en volume. On note ρ_0 sa charge volumique.

On se place en régime stationnaire.

Un point M de l'espace est repéré par les coordonnées cylindriques (r, θ , z).

$$\vec{OM} = r \vec{e}_r + z \vec{e}_z$$

Question 27 :

Les équations de Maxwell qui régissent l'électrostatique sont :

- A) l'équation de Maxwell-Faraday. B) l'équation de Maxwell-Ampère.
C) l'équation de Maxwell-Thomson. D) l'équation de Maxwell-Gauss.

Question 28 :

Le champ électrique est :

- A) contenu dans les plans de symétrie pour les charges.
B) orthogonal aux plans de symétrie pour les charges.

Les équipotentiels sont :

- C) des cylindres. D) des plans.

Question 29 :

Pour $r < R$, le champ électrique en M s'écrit :

- A) $\vec{E}(M) = \vec{0}$ B) $\vec{E}(M) = \frac{\rho_0 r}{2 \epsilon_0} \vec{e}_r$
C) $\vec{E}(M) = \frac{\rho_0 R^2}{2 \epsilon_0 r} \vec{e}_r$ D) $\vec{E}(M) = \frac{\rho_0 R^2}{4 \pi \epsilon_0 r} \vec{e}_r$

Question 30 :

Pour $r > R$, le champ électrique en M s'écrit :

- A) $\vec{E}(M) = \vec{0}$ B) $\vec{E}(M) = \frac{\rho_0 r}{2 \epsilon_0} \vec{e}_r$
C) $\vec{E}(M) = \frac{\rho_0 R^2}{2 \epsilon_0 r} \vec{e}_r$ D) $\vec{E}(M) = \frac{\rho_0 R^2}{4 \pi \epsilon_0 r} \vec{e}_r$

Question 31 :

Le potentiel électrique en M est noté $V(r)$. On choisit l'origine des potentiels en $r = R$.
Pour $r < R$, il s'écrit :

A)
$$V(M) = - \frac{\rho_0 (r^2 - R^2)}{4 \epsilon_0}$$

B)
$$V(M) = 0$$

C)
$$V(M) = - \frac{\rho_0 R^2}{2 \epsilon_0} \ln\left(\frac{r}{R}\right)$$

D)
$$V(M) = - \frac{\rho_0 R^2}{4 \pi \epsilon_0} \ln\left(\frac{r}{R}\right)$$

Question 32 :

Pour $r > R$, il s'écrit :

A)
$$V(M) = - \frac{\rho_0 (r^2 - R^2)}{4 \epsilon_0}$$

B)
$$V(M) = 0$$

C)
$$V(M) = - \frac{\rho_0 R^2}{2 \epsilon_0} \ln\left(\frac{r}{R}\right)$$

D)
$$V(M) = - \frac{\rho_0 R^2}{4 \pi \epsilon_0} \ln\left(\frac{r}{R}\right)$$

PARTIE V

Un fil cylindrique infini d'axe Oz et de rayon R est parcouru par un courant I réparti uniformément en volume.

On se place en régime stationnaire.

Un point M de l'espace est repéré par les coordonnées cylindriques (r, θ , z).

$$\vec{OM} = r \vec{e}_r + z \vec{e}_z$$

Question 33 :

Le champ magnétique est :

- A) contenu dans les plans de symétrie pour les courants.
- B) orthogonal aux plans de symétrie pour les courants.

Les lignes de champ magnétique créées par ce fil sont :

- C) des cercles.
- D) des droites.

Question 34 :

Les équations de Maxwell qui régissent la magnétostatique sont :

- A) l'équation de Maxwell-Faraday.
- B) l'équation de Maxwell-Ampère.
- C) l'équation de Maxwell-Thomson.
- D) l'équation de Maxwell-Gauss.

Question 35 :

Pour $r < R$, le champ magnétique en M s'écrit :

- A) $\vec{B}(M) = \vec{0}$
- B) $\vec{B}(M) = \frac{\mu_0 I}{2 \pi r} \vec{e}_\theta$
- C) $\vec{B}(M) = \frac{\mu_0 I r}{2 \pi R^2} \vec{e}_\theta$
- D) $\vec{B}(M) = \frac{\mu_0 I r}{\pi R^2} \vec{e}_\theta$

Question 36 :

Pour $r > R$, le champ magnétique en M s'écrit :

- A) $\vec{B}(M) = \vec{0}$
- B) $\vec{B}(M) = \frac{\mu_0 I}{2 \pi r} \vec{e}_\theta$
- C) $\vec{B}(M) = \frac{\mu_0 I r}{2 \pi R^2} \vec{e}_\theta$
- D) $\vec{B}(M) = \frac{\mu_0 I r}{\pi R^2} \vec{e}_\theta$

Question 43 :

La fonction de transfert à cette fréquence s'écrit :

A) $\underline{H} = 2j$

B) $\underline{H} = -2j$

C) $\underline{H} = \frac{j}{2}$

D) $\underline{H} = -\frac{j}{2}$

Question 47 :

Pour $L=[-1,1,3]$, l'exécution du script Python de la question précédente donne pour X le résultat suivant :

- A) [True,False,True] B) [False,True,True]
C) [True,True,True] D) [False,False,True]

Question 48 :

Que renvoie la ligne de commande ci-dessous ?

```
print(0.1+0.2==0.3)
```

- A) 0.3 B) 0.30000000000000004
C) Syntax Error D) 0.1 + 0.2 == 0.3

Session 2022

CONCOURS DE RECRUTEMENT D'ÉLÈVES
INGÉNIEURS ÉLECTRONICIENS DES SYSTÈMES DE LA SÉCURITÉ
AÉRIENNE
I.E.S.S.A.

TECHNIQUE RÉSEAUX & TÉLÉCOMMUNICATIONS
(ÉPREUVE OBLIGATOIRE A OPTION)

Durée : 4 heures

Coefficient : 6

TOUT DISPOSITIF ELECTRONIQUE EST INTERDIT EN
PARTICULIER L'USAGE DE LA CALCULATRICE



Cette épreuve comporte :

- 1 page de garde (recto)
- 1 page d'instructions pour remplir le Q.C.M. (recto)
- 26 pages de sujet (recto verso) composé de trois parties :
 - ↳ 1^{ère} sous-épreuve – **Électronique** :
de la page E1 à E10 (20 questions numérotées de 1 à 20)
 - ↳ 2^{ème} sous-épreuve – **Informatique** :
de la page I.1 à I.8 (30 questions numérotées de 21 à 50)
 - ↳ 3^{ème} sous-épreuve – **Réseaux & Télécommunications** :
de la page R.1 à R.8 (25 questions numérotées de 51 à 75)

ÉPREUVE TECHNIQUE OBLIGATOIRE A OPTION

A LIRE TRÈS ATTENTIVEMENT

L'épreuve obligatoire à option Réseaux et Télécommunications de ce concours est un questionnaire à choix multiple qui sera corrigé informatiquement.

- 1) Pour remplir ce QCM, vous devez utiliser un stylo à encre foncée : bleue ou noire et à bille ou feutre. Vous devez **cocher** la case en vue de la lecture informatisée de votre QCM.
- 2) Utilisez le sujet comme brouillon et ne retranscrivez vos réponses qu'après vous être relu soigneusement.
- 3) Votre QCM ne doit pas être souillé, froissé, plié, écorné ou porter des inscriptions superflues, sous peine d'être rejeté informatiquement et de ne pas être corrigé.
- 4) Si vous voulez corriger votre réponse, **n'utilisez pas de correcteur** mais indiquez la nouvelle réponse sur la ligne de repentir.
- 5) A chaque question numérotée entre 1 et 75, correspond sur la feuille-réponses une ligne de cases qui porte le même numéro (les lignes de 76 à 80 seront neutralisées).

Chaque question comporte au plus deux réponses exactes.

- 6) A chaque question numérotée entre 1 et 75, correspond sur la feuille-réponses une ligne de cases qui porte le même numéro. Chaque ligne comporte 5 cases A, B, C, D, E.
Pour chaque ligne numérotée de 1 à 75, vous vous trouverez en face de 4 possibilités :
 - ▶ soit vous décidez de ne pas traiter cette question,
la ligne correspondante doit rester vierge.
 - ▶ soit vous jugez que la question comporte une seule bonne réponse :
vous devez cocher l'une des cases A, B, C, D.
 - ▶ soit vous jugez que la question comporte deux réponses exactes :
vous devez cocher deux des cases A, B, C, D et deux seulement.
 - ▶ soit vous jugez qu'aucune des réponses proposées A, B, C, D n'est bonne :
vous devez alors cocher la case E.

Attention, toute réponse fausse peut entraîner pour la question correspondante une pénalité dans la note.

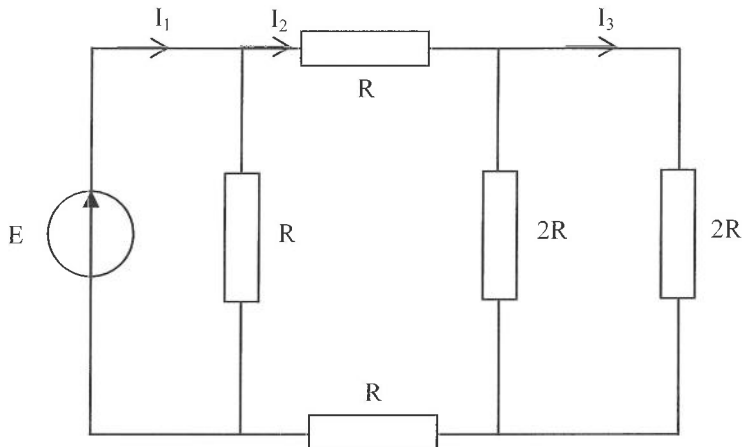
Concours IEISSA 2022

1^{ère} sous-épreuve : Electronique

Cette sous-épreuve comporte 6 exercices indépendants pouvant comprendre chacun plusieurs questions.

EXERCICE 1 :

Soit le montage électrique suivant où E est une tension continue.
On donne $R = 1 \text{ k}\Omega$ et $E = 15 \text{ V}$.

**Question 1 :**

La valeur de la résistance équivalente totale du circuit est égale à :

- a) $R_{eq} = 250 \Omega$
- b) $R_{eq} = 550 \Omega$
- c) $R_{eq} = 750 \Omega$
- d) $R_{eq} = 1 \text{ k}\Omega$

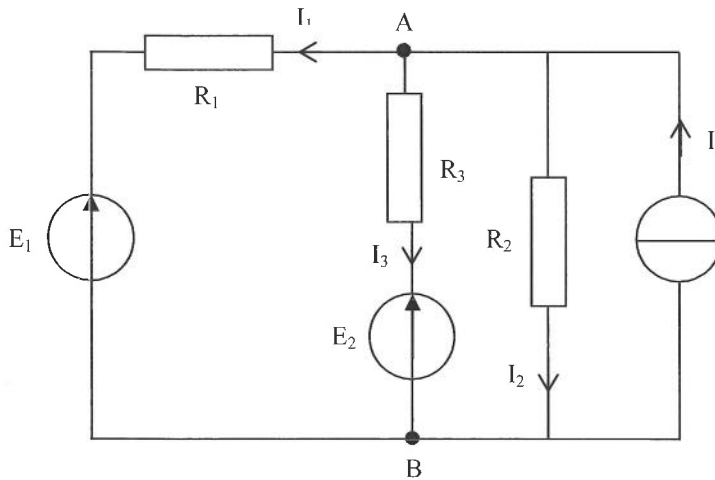
Question 2 :

La valeur du courant I_1 vaut :

- a) $I_1 = 1 \text{ mA}$
- b) $I_1 = 5 \text{ mA}$
- c) $I_1 = 10 \text{ mA}$
- d) $I_1 = 20 \text{ mA}$

EXERCICE 2 :

Soit le montage électrique suivant où E_1 et E_2 sont deux sources de tensions continues où :
 $E_1 = 12 \text{ V}$, $E_2 = 2 \text{ V}$, $I = 3 \text{ mA}$, $R_1 = 1 \text{ k}\Omega$, $R_3 = 2 \text{ k}\Omega$ et $R_2 = 10 \text{ k}\Omega$.

**Question 3 :**

La valeur de la tension U_{AB} vaut :

- a) $U_{AB} = 2 \text{ V}$
- b) $U_{AB} = 4 \text{ V}$
- c) $U_{AB} = 6 \text{ V}$
- d) $U_{AB} = 10 \text{ V}$

Question 4 :

La valeur du courant I_3 vaut :

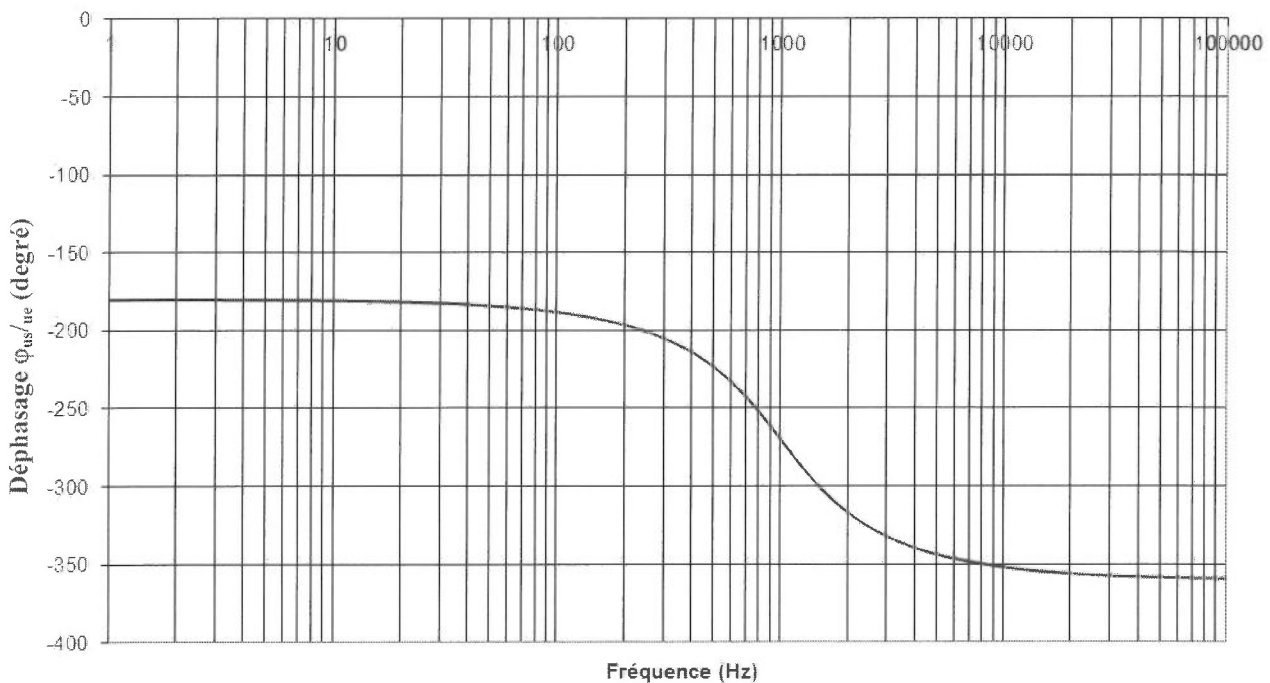
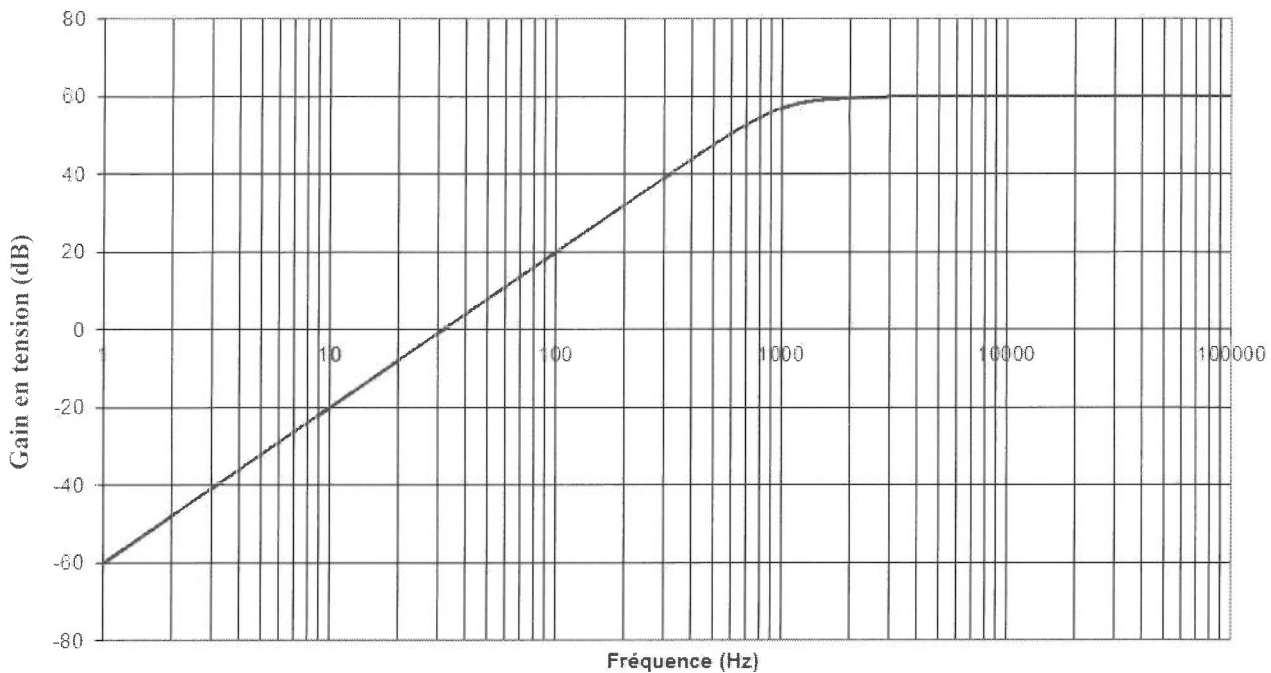
- a) $I_3 = 2,5 \text{ mA}$
- b) $I_3 = 4 \text{ mA}$
- c) $I_3 = -5 \text{ mA}$
- d) $I_3 = 7 \text{ mA}$

EXERCICE 3 :

Un signal $e(t)$ est la somme de :

- un signal "utile" HF : $e_u(t) = E_{u0} \cos(2\pi f_u t + \varphi_{ue})$
- un signal "parasite" BF : $e_p(t) = E_{p0} \cos(2\pi f_p t + \varphi_{pe})$

Pour améliorer le rapport entre le signal "utile" et le signal "parasite", on injecte $e(t)$ à l'entrée du filtre dont la réponse en fréquence (décrite par le diagramme de Bode) est la suivante :



Question 5 :

A la sortie du filtre, la composante "utile" $e_u(t) = E_{u0} \cos(2\pi f_u t + \varphi_{ue})$ produit un signal de sortie $s_u(t) = S_{u0} \cos(2\pi f_u t + \varphi_{us})$.

Si $f_u = 10$ kHz et $E_{u0} = 5$ mV, que vaut l'amplitude S_{u0} ?

- a) $S_{u0} = 300$ mV
- b) $S_{u0} = 500$ mV
- c) $S_{u0} = 1$ V
- d) $S_{u0} = 5$ V

Question 6 :

A la sortie du filtre, la composante "utile" $e_u(t) = E_{u0} \cos(2\pi f_u t + \varphi_{ue})$ produit un signal de sortie $s_u(t) = S_{u0} \cos(2\pi f_u t + \varphi_{us})$.

Si $f_u = 10$ kHz et $\varphi_{ue} = 30^\circ$, que vaut l'argument φ_{us} ?

- a) $\varphi_{us} = -150^\circ$
- b) $\varphi_{us} = -320^\circ$
- c) $\varphi_{us} = 40^\circ$
- d) $\varphi_{us} = 180^\circ$

Question 7 :

A la sortie du filtre, la composante "parasite" $e_p(t) = E_{p0} \cos(2\pi f_p t + \varphi_{pe})$ produit un signal de sortie $s_p(t) = S_{p0} \cos(2\pi f_p t + \varphi_{ps})$.

Si $f_p = 10$ Hz et $E_{p0} = 5$ mV, que vaut l'amplitude S_{p0} ?

- a) $S_{p0} = 0,3$ mV
- b) $S_{p0} = 0,5$ mV
- c) $S_{p0} = 0,707$ mV
- d) $S_{p0} = 1$ mV

Question 8 :

A la sortie du filtre, la composante "parasite" $e_p(t) = E_{p0} \cos(2\pi f_p t + \varphi_{pe})$ produit un signal de sortie $s_p(t) = S_{p0} \cos(2\pi f_p t + \varphi_{ps})$.

Si $f_p = 10\text{Hz}$ et $\varphi_{pe} = -40^\circ$, que vaut l'argument φ_{ps} ?

- a) $\varphi_{ps} = 40^\circ$
- b) $\varphi_{ps} = 90^\circ$
- c) $\varphi_{ps} = -180^\circ$
- d) $\varphi_{ps} = -220^\circ$

EXERCICE 4 :

Un signal carré $v_e(t)$ de valeur moyenne nulle, d'amplitude E et de fréquence f_0 se décompose sous la forme d'une somme de sinusoïdes :

$$v_e(t) = 4 \frac{E}{\pi} \left[\sin(\omega_0 t) + \frac{1}{3} \sin(3\omega_0 t) + \frac{1}{5} \sin(5\omega_0 t) + \dots + \frac{1}{2k+1} \sin[(2k+1)\omega_0 t] + \dots \right]$$

$$= E_1 \sin(\omega_0 t) + E_3 \sin(3\omega_0 t) + E_5 \sin(5\omega_0 t) + \dots + E_{2k+1} \sin[(2k+1)\omega_0 t] + \dots$$

avec $\omega_0 = 2\pi f_0$

On prendra pour les calculs $\pi = 3,14$

Question 9 :

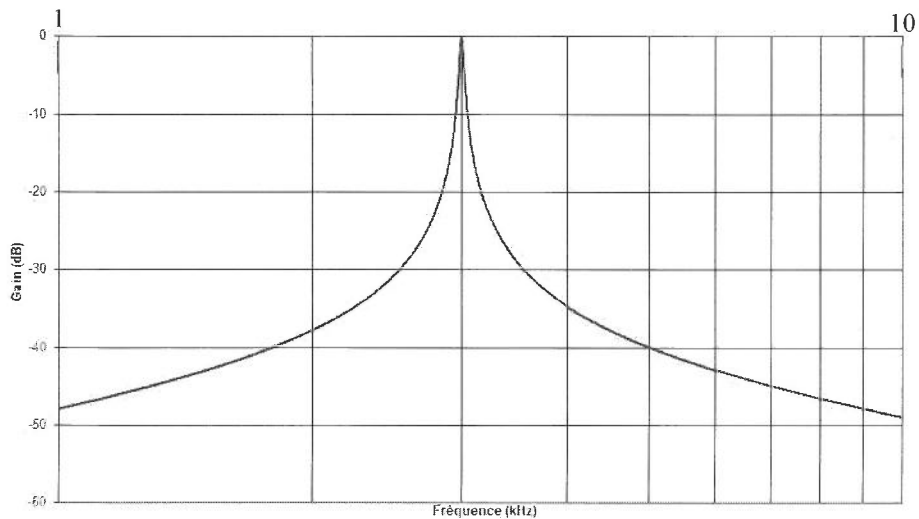
Si la valeur crête E du signal carré vaut 314 mV, que vaut l'amplitude E_5 de son harmonique de rang 5 ?

- a) $E_5 = 80 \text{ mV}$
- b) $E_5 = 400 \text{ mV}$
- c) $E_5 = 600 \text{ mV}$
- d) $E_5 = 2 \text{ V}$

Question 10 :

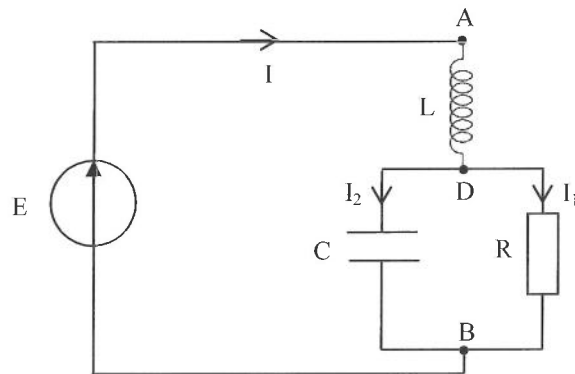
La fréquence du signal carré $v_e(t)$ vaut $f_0 = 1$ kHz.

Ce signal est placé à l'entrée d'un filtre dont le gain en tension pour f variant de 1 à 10 kHz est le suivant :



A travers ce filtre, par quel facteur A sera multiplié l'harmonique 5 du signal carré ?

- a) $A = -48$
- b) $A = -9$
- c) $A = 0,01$
- d) $A = 1$

EXERCICE 5 :

Le dipôle AB représenté sur le schéma de la figure ci-dessus est alimenté par une source de tension parfaite instantanée $e(t) = E_0 \sin(\omega t)$

Question 11 :

Quelle est l'expression de L en fonction de R , C et ω pour que le dipôle AB soit équivalent à une résistance pure R_{eq} ?

a) $L = \frac{RC\omega}{1+R^2C^2\omega^2}$

b) $L = \frac{R^2C}{1+RC\omega}$

c) $L = \frac{R^2C}{1+R^2C^2\omega^2}$

d) $L = \frac{RC\omega}{1-RC\omega}$

Question 12 :

On reste dans le cas de la question précédente où le dipôle AB est équivalent à une résistance pure. On donne $R = 100 \Omega$, $C = 100/3 \mu\text{F}$ et $\omega = 400 \text{ rad/s}$.

La valeur de L vaut :

a) $L = 120 \text{ mH}$

b) $L = 200 \text{ mH}$

c) $L = 50 \text{ mH}$

d) $L = 37 \text{ mH}$

Question 13 :

La valeur efficace de la force électromotrice du générateur vaut $E_0 = 18 \text{ V}$.

La valeur efficace de l'intensité du courant I dans la bobine vaut :

- a) $I = 0,12 \text{ A}$
- b) $I = 0,37 \text{ A}$
- c) $I = 0,42 \text{ A}$
- d) $I = 0,5 \text{ A}$

Question 14 :

Les valeurs efficaces des différences de potentiel U_{AD} et U_{DB} valent :

- a) $U_{AD} = 10 \text{ V}$ et $U_{DB} = 25 \text{ V}$
- b) $U_{AD} = 4,5 \text{ V}$ et $U_{DB} = 13,5 \text{ V}$
- c) $U_{AD} = 24 \text{ V}$ et $U_{DB} = 30 \text{ V}$
- d) $U_{AD} = 18 \text{ V}$ et $U_{DB} = 4,5 \text{ V}$

Question 15 :

Les valeurs efficaces des intensités des courants I_1 et I_2 circulant respectivement dans la résistance et dans le condensateur sont :

- a) $I_1 = 0,1 \text{ A}$ et $I_2 = 0,4 \text{ A}$
- b) $I_1 = 0,3 \text{ A}$ et $I_2 = 0,4 \text{ A}$
- c) $I_1 = 0,2 \text{ A}$ et $I_2 = 0,7 \text{ A}$
- d) $I_1 = 0,7 \text{ A}$ et $I_2 = 0,2 \text{ A}$

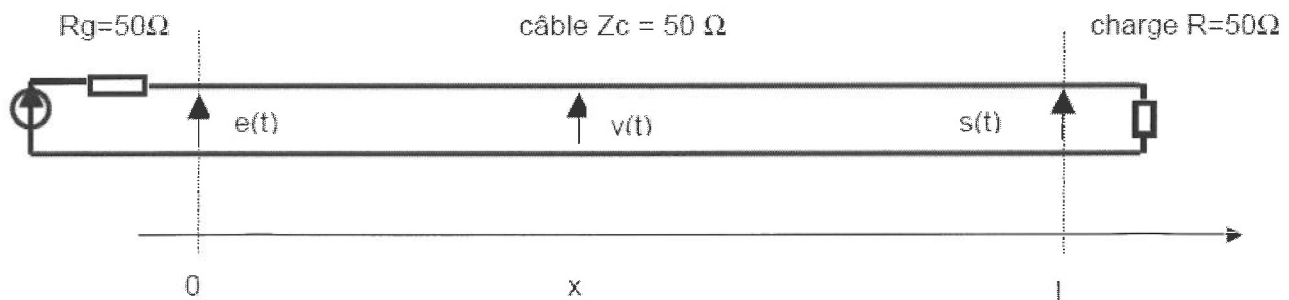
Question 16 :

La puissance moyenne P sur une période consommée par le dipôle AB est égale à :

- a) $P = 120 \text{ W}$
- b) $P = 12 \text{ W}$
- c) $P = 7,5 \text{ W}$
- d) $P = 9 \text{ W}$

EXERCICE 6 :

On s'intéresse à la répartition de tension sur un câble coaxial sans perte de longueur $l = 5 \text{ m}$ et caractérisé par une vitesse de propagation du signal $v = 2 \cdot 10^8 \text{ m/s}$.

**Question 17 :**

Le retard τ introduit par ce tronçon de câble est :

- a) $\tau = 12,5 \text{ ns}$
- b) $\tau = 25 \text{ ns}$
- c) $\tau = 50 \text{ ns}$
- d) $\tau = 125 \text{ ns}$

Question 18 :

Si $e(t) = 10 \cos(\omega t)$, la tension $s(t)$ à la position x en fonction de ω , x et λ est égale à :

- a) $s(t) = 5 \cos[\omega t/x - 2\pi/\lambda]$
- b) $s(t) = 10 \cos[\omega t - 2\pi x/\lambda]$
- c) $s(t) = 10 \cos[2\omega t - \pi x/\lambda]$
- d) $s(t) = 20 \cos[\omega t - \pi x/\lambda]$

Question 19 :

Si $f = 50 \text{ MHz}$, les positions l où la tension $v(t)$ est en phase avec $e(t)$ sont :

- a) $l = 2 \text{ m}$ et 4 m
- b) $l = 2 \text{ m}$ et 5 m
- c) $l = 1 \text{ m}$ et 3 m
- d) $l = 1 \text{ m}$ et 4 m

Question 20 :

Si $f = 50$ MHz, les positions l où la tension $v(t)$ est en opposition de phase avec $e(t)$ sont :

- a) $l = 1$ m, 2 m et 4 m
- b) $l = 2$ m et 5 m
- c) $l = 1$ m, 3 m et 5 m
- d) $l = 2$ m et 4 m

2^{ème} sous-épreuve : Informatique

Question 21 :

Quelle est la différence entre Internet et le WWW (World Wide Web) ?

- a) Le WWW est un des services accessibles sur Internet.
- b) Le WWW est une interconnexion mondiale de réseaux informatiques, qui sert en particulier à se connecter à Internet.
- c) C'est la même chose, il n'y a pas de différence.
- d) Internet est un service accessible via le WWW.

Question 22 :

Qu'est-ce qu'un site Web dynamique ?

- a) Un site Web qui dispose d'une forte communauté participative d'internautes.
- b) Un site Web en tête des réponses données par plusieurs moteurs de recherche.
- c) Un site Web qui repose sur un adressage dynamique.
- d) Un site Web connecté à une base de données qui fournit entre autres les informations à afficher.

Question 23 :

Parmi les serveurs Web open source suivants, quel est l'intrus ?

- a) Apache HTTP Server
- b) Microsoft IIS
- c) NGINX
- d) LIGHTTPD

Question 24 :

Parmi les assertions suivantes relatives aux cookies, combien sont fausses ?

- Aucun texte réglementaire ou cadre juridique n'est applicable aux cookies.
 - C'est un fichier chiffré enregistré par le poste client sur le serveur.
 - C'est un fichier texte enregistré par le navigateur sur le poste client.
 - Il ne peut être ni refusé ni effacé par l'internaute.
- a) 0
 - b) 1
 - c) 2
 - d) 3

Question 25 :

Soit une page Web `index.php` appelée par un navigateur par l'URL :
`http://test-enac.fr/index.php`

Cette page est écrite en HTML5, elle contient un script PHP qui interroge une base de données en SQL. Le navigateur Web du poste client va interpréter :

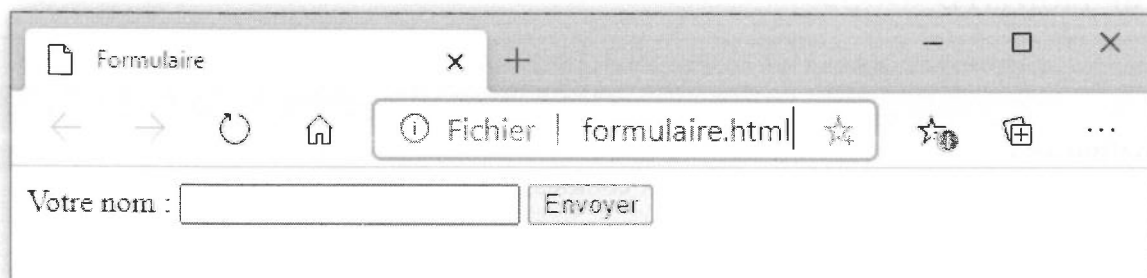
- a) seulement le code HTML5.
- b) les codes HTML5 et PHP.
- c) les codes HTML5 et SQL.
- d) les codes HTML5, PHP et SQL.

Un site Web permet de présenter de l'information aux internautes, mais également de recueillir des données grâce aux formulaires.

Pour les 9 prochaines questions (26 à 34), on considère la page Web `formulaire.html` suivante :

```
<!DOCTYPE html>
<html lang="fr">
<basile1>
  <balise2> Formulaire </balise2>
  <meta charset="utf-8">
</balise1>
<body>
  <form method="methode1" action="./script/traiter-formulaire.php">
    <label for="nom">Votre nom : </label>
    <input type="text" id="nom" name="nom" attribut1 />
    <input type="type1" value="Envoyer" />
  </form>
</body>
</html>
```

On désire obtenir l'affichage suivant :



Question 26 :

La balise identifiée `balise1` correspond à la balise :

- a) header
- b) head
- c) h1
- d) high

Question 27 :

La balise identifiée **balise2** correspond à la balise :

- a) subject
- b) tab
- c) object
- d) headline

Question 28 :

Parmi les assertions suivantes relatives au jeu de caractères utilisé UTF-8, combien sont fausses ?

- UTF-8 est un codage de caractères informatiques.
- Selon le caractère à coder, UTF-8 utilise de 1 à 4 octets.
- Il devient obsolète et doit être remplacé par le code ASCII.
- Son utilisation n'est plus recommandée par le W3C.

- a) 0
- b) 1
- c) 2
- d) 3

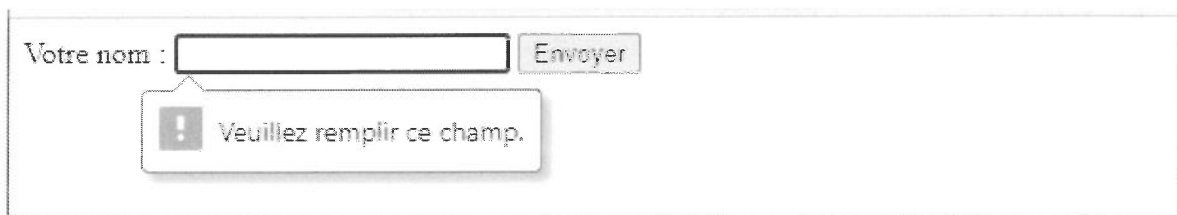
Question 29 :

Quelle est la méthode (**methode1** dans le formulaire) optimale à utiliser pour l'envoi des données ?

- a) POST
- b) GET
- c) SEND
- d) TRANSMIT

Question 30 :

Si l'internaute décide d'envoyer le formulaire sans renseigner son nom, on désire obtenir cet avertissement :



The image shows a web form with the label "Votre nom :". To the right of the label is an empty text input field. To the right of the input field is a button labeled "Envoyer". Below the input field, a tooltip-style error message box is displayed, containing a red exclamation mark icon and the text "Veuillez remplir ce champ.".

Pour réaliser cela, il faut que l'attribut (**attribut1** dans le formulaire) soit :

- a) mandatory
- b) required
- c) necessary
- d) recommended

Question 31 :

Pour réaliser l'envoi des données par l'appui sur le bouton **Envoyer**, il faut que le type (**type1** dans le formulaire) soit :

- a) send
- b) transfer
- c) forward
- d) submit

Question 32 :

Le script **traiter-formulaire.php** est exécuté par :

- a) le navigateur Web nativement.
- b) l'interpréteur PHP associé au navigateur Web.
- c) le serveur Web nativement.
- d) l'interpréteur PHP associé au serveur Web.

Question 33 :

Une feuille de style **formulaire.css** doit être associée à la page Web **formulaire.html**.
Quelle est la syntaxe correcte pour associer cette feuille de style ?

- a) `<link rel="stylesheet" type="text/css" href="formulaire.css" />`
- b) `<style type="css" src="formulaire.css" />`
- c) `<stylesheet> formulaire.css </stylesheet>`
- d) `<meta style="css" rel="formulaire.css" />`

Question 34 :

En CSS, quelle est la syntaxe correcte pour déclarer une règle de style concernant l'élément HTML label ?

- a) `label { color : blue ; }`
- b) `label (color = blue ;)`
- c) `.label [color ; "blue"]`
- d) `#label [color := blue]`

Question 35 :

En CSS, quelle est la syntaxe correcte d'écriture du sélecteur pour appliquer une règle de style à plusieurs éléments HTML5, par exemple h1, h2 et h3 ?

- a) `h1 h2 h3`
- b) `h1, h2, h3`
- c) `h1/ h2/ h3`
- d) `h1; h2; h3`

Question 36 :

Dans le monde du Web, plusieurs langages de script peuvent être utilisés. Cependant, quel est le seul langage pris en compte par les navigateurs Web parmi les suivants ?

- a) PHP
- b) JavaScript
- c) Python
- d) Perl

Question 37 :

Le terme "relationnel" appliqué au domaine des bases de données s'explique du fait :

- a) de la mise en relation possible avec d'autres bases de données.
- b) de l'accès multi-utilisateurs possible.
- c) de l'organisation des données sous forme tabulaire.
- d) de la gestion des utilisateurs mis en relation entre eux.

Question 38 :

Au sens d'une base de données compatible SQL, une clé primaire :

- permet d'identifier de manière unique chaque tuple d'une table
- peut être composée de plusieurs champs de la table
- peut être utilisée dans une clé étrangère de la même table
- doit toujours contenir une valeur

Parmi ces assertions, combien sont potentiellement erronées ?

- a) 1
- b) 2
- c) 3
- d) 4

Question 39 :

Au sens d'une base de données compatible SQL, une clé étrangère sert à :

- a) accéder à une table située dans une autre base de données.
- b) référencer une contrainte unique ou clé primaire.
- c) contraindre la cohérence entre deux tables.
- d) se connecter à l'aide d'une autre identité que celle du propriétaire de la table.

Question 40 :

L'acronyme anglais SQL signifie :

- a) Square Quality League
- b) Super Quiet Line
- c) Standard Quick List
- d) Structured Query Language

Question 41 :

Compléter la requête SQL suivante pour afficher les départements composés de plus 50 étudiants :

```
SELECT `departement`, count(`etudiant_id`) FROM `etudiants`
```

- a) GROUP BY `departement` HAVING COUNT(`etudiant_id`) > 50 ;
- b) GROUP BY `departement` WHERE COUNT(`etudiant_id`) > 50 ;
- c) ORDER BY `departement` GROUP BY COUNT(`etudiant_id`) > 50 ;
- d) ORDER BY `departement` WHERE COUNT(`etudiant_id`) > 50 ;

Question 42 :

Pour se déplacer dans une arborescence de fichiers Windows (ou Linux), on peut utiliser des chemins absolus. Un chemin absolu est :

- a) un chemin qui part du répertoire courant.
- b) un chemin qui part du répertoire père du répertoire courant.
- c) un chemin qui part de la racine de l'arborescence.
- d) un chemin qui part toujours du même répertoire configurable par les utilisateurs.

Question 43 :

Afin de réaliser une redirection de la sortie standard vers un fichier en préservant son contenu, il faut utiliser :

- a) <
- b) >
- c) <<
- d) >>

Question 44 :

Soit un fichier **calcul.sh** possédant les droits suivants : **rwX r-X --X** sur une distribution Linux. Quels sont les droits des utilisateurs appartenant au même groupe principal que le propriétaire du fichier ?

- a) Tous les droits.
- b) Lecture et exécution.
- c) Ecriture et exécution.
- d) Lecture et écriture.

Question 45 :

Sous Linux, si l'on souhaite supprimer tous les fichiers d'un répertoire ayant un **a** en troisième position dans leur nom en une seule commande, il faut réaliser la commande :

- a) `rm **a*`
- b) `rm 3?a*`
- c) `rm ???a*`
- d) `rm **a?`

Question 46 :

Soit le programme C suivant :

```
#include <stdio.h>
#include <ctype.h>
float alpha(char lettre)
{
    if (lettre > 't' || lettre <= 'g')
    {
        lettre = toupper(lettre);
        return 0.5;
    }
    else
    {
        lettre = 'a';
        return 1.5;
    }
}

void main(void)
{
    char lettre = 'h';
    float ret = alpha(lettre);
    printf("retour %.2f %c\n", ret, lettre);
}
```

Sachant que la fonction **toupper** permet le passage de minuscule en majuscule, l'exécution du programme provoque :

- a) une erreur.
- b) l'affichage : retour 0.50 H
- c) l'affichage : retour 1.50 a
- d) l'affichage : retour 1.50 h

Question 47 :

Soit le programme C **affichage** suivant :

```
#include <stdio.h>
int main(int argc, char *argv[])
{
    int i=1;
    if(argc >= 3)
    {
        for(i=argc-1;i>=0;i--)
            printf("%s ",argv[i]);
    }
    printf("\n");
    return 0;
}
```

En réalisant la commande `./affichage 1 2 3 4` dans le terminal, le programme affiche :

- a) 4 3 2 1 ./affichage
- b) 4 3 2 1
- c) 1 2 3 4 ./affichage
- d) 1 2 3 4

Question 48 :

Soit le programme C suivant :

```
#include <stdio.h>
#include <unistd.h>
#include <sys/wait.h>
#include <stdlib.h>
int main(void)
{
    switch(fork())
    {
        case -1:printf("Erreur\n");
                exit(-1);
        case 0:execl("ls","ls","-l","-t","/",NULL);
                printf("Erreur d'exécution\n");
                exit(-2);
        default:wait(0);
                break;
    }
    return 0;
}
```

Son exécution provoque :

- a) l'affichage : Erreur
- b) l'affichage : Erreur d'exécution
- c) l'affichage du contenu détaillé du répertoire racine trié par date par le processus père.
- d) l'affichage du contenu détaillé du répertoire racine trié par date par le processus fils.

Question 49 :

Pour une machine virtuelle configurée avec un hyperviseur de type 2, quel mode d'accès réseau n'existe pas ?

- a) Le mode Pont (ou Bridge).
- b) Le mode Network Address Translation.
- c) Le mode Réseau Privé Virtuel.
- d) Le mode Réseau Privé Hôte.

Question 50 :

Parmi les technologies de virtualisation de conteneurs suivantes, quelle est l'intruse ?

- a) LXC.
- b) Docker.
- c) rkt.
- d) VirtualBox Container.

3^{ème} sous-épreuve : Réseaux & Télécommunications

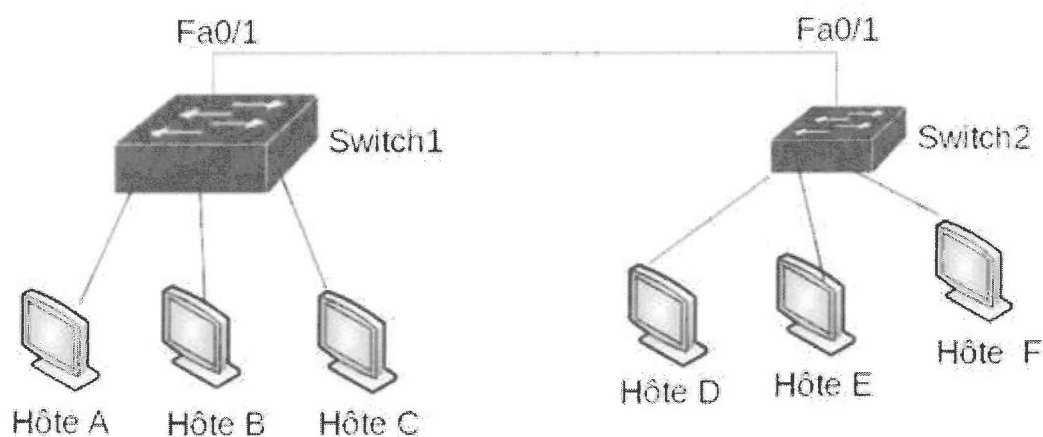
Question 51 :

Soit une machine d'adresse IP 192.168.65.54 dont le masque est 255.255.255.240
Quel est le sous-réseau auquel appartient cette machine ?

- a) 192.168.65.64
- b) 192.168.65.16
- c) 192.168.65.32
- d) 192.168.65.48

Question 52 :

Soit le schéma dans lequel les hôtes A, C, D et F appartiennent au VLAN 1, les hôtes B et E appartiennent au VLAN 2 et les 2 ports Fa0/1 des commutateurs sont paramétrés pour transporter les VLAN.



Quelles sont les machines qui recevront une requête ARP émise par l'hôte A ?

- a) Hôte B,
- b) Hôte C,
- c) Hôte E,
- d) Hôte D, F

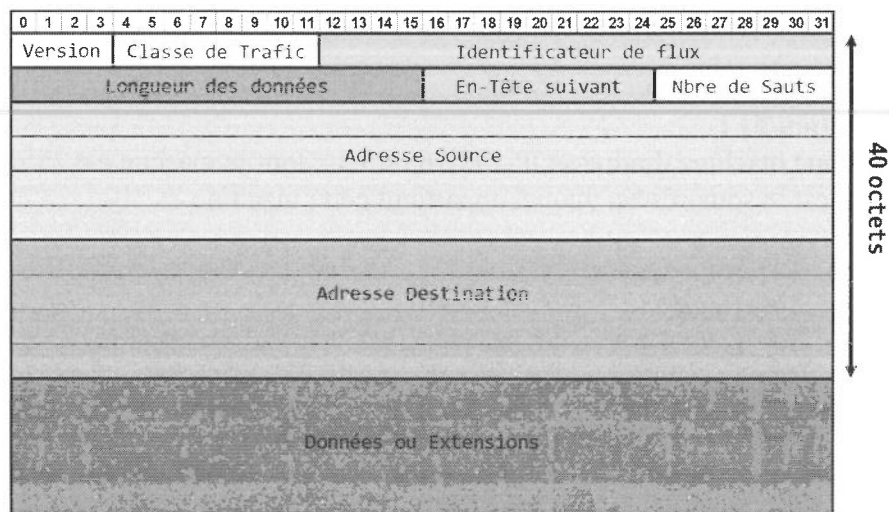
Question 53 :

Quelle méthode de commutation utilise le champ CRC de la trame Ethernet ?

- a) Cut-Through
- b) Fast-Forward
- c) Fragment-Free
- d) Store and Forward

Question 54 :

Soit l'en-tête ci-dessous :



De quel protocole s'agit il ?

- a) IPv4
- b) IPv6
- c) TCP
- d) UDP

Question 55 :

Quels sont les deux protocoles de la couche application qui utilisent UDP ?

- a) SNMP
- b) SQL
- c) TFTP
- d) Telnet

Question 56 :

Quelles sont les informations accessibles par la commande ping ?

- a) Nombre de routeurs traversés par le paquet IP
- b) Temps moyen de l'aller et retour vers une machine destination
- c) La machine destination est accessible via le réseau
- d) Nombre de machines sur le réseau

Question 57 :

L'adresse 2001:ABC:AAAA::1/64, est une adresse IPv6

- a) Link-Local Unicast
- b) Multicast
- c) Broadcast
- d) Global Unicast

Question 58 :

De quelle façon peut être définie la partie interface d'une adresse IPv6 ?

- a) aléatoirement
- b) à partir de l'adresse MAC
- c) à partir du numéro de port
- d) en fonction de la table de routage

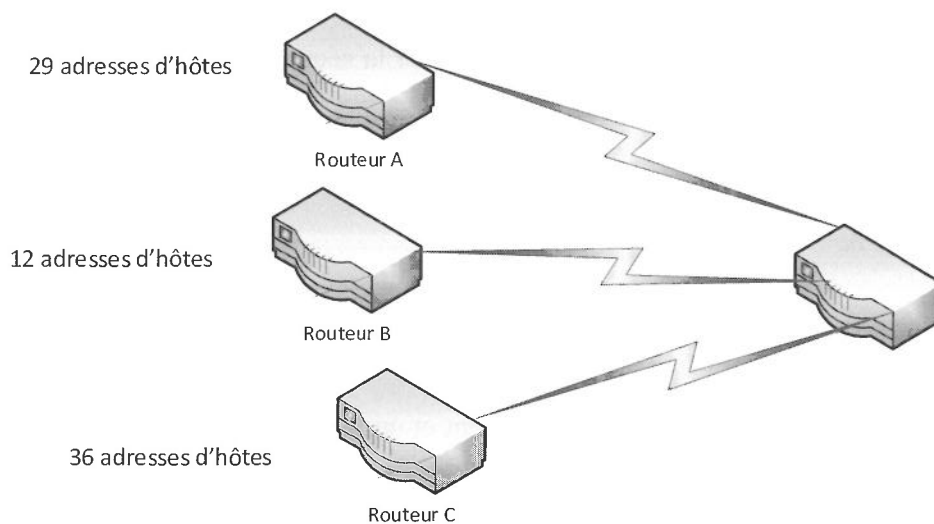
Question 59 :

Qu'est ce qui caractérise les adresses IPv6 Local Unique ?

- a) Elles commencent par le préfixe FE80
- b) Elles commencent par le préfixe 2001
- c) Elles sont globales
- d) Elles sont non routables sur Internet

Question 60 :

Après analyse du schéma, quel est le masque qui doit être utilisé par le réseau du routeur B pour optimiser le plan d'adressage IP nécessitant 12 adresses d'hôtes ?



- a) /29
- b) /28
- c) /27
- d) /26

Question 61 :

Quelle affirmation décrit RIPv2 ?

- a) RIPv2 s'implémente sur des réseaux comportant plus de routeurs que RIPv1.
- b) RIPv2 annonce les tables de routage en broadcast.
- c) RIPv2 prend en charge le routage sans classe.
- d) RIPv2 est un protocole à état de liens.

Question 62 :

Quelle est la signification du wildcard mask 0.0.0.15 ?

- a) Les 4 derniers bits d'une adresse IP seront ignorés.
- b) Les 28 premiers bits d'une adresse IP seront mis en correspondance.
- c) Les 5 derniers bits d'une adresse IP seront ignorés.
- d) Les 4 derniers bits d'une adresse IP seront mis en correspondance.

Question 63:

Quelle est l'access-list autorisant les adresses IP provenant des réseaux **192.168.16.0**, **192.168.17.0**, **192.168.18.0** et **192.168.19.0** ?

- a) access-list 10 permit 192.168.16.0 0.0.3.255
- b) access-list 10 permit 192.168.16.0 0.0.0.255
- c) access-list 10 permit 192.168.16.0 0.0.15.255
- d) access-list 10 permit 192.168.0.0 0.0.15.255

Question 64 :

Quelle est la principale technologie utilisée pour la sécurisation d'un environnement sans fil ?

- a) CSMA/CA
- b) SSID
- c) CSMA/CD
- d) WPA

Question 65 :

Combien d'échange(s) faut-il entre un client et un serveur pour établir une connexion TCP ?

- a) 1
- b) 2
- c) 3
- d) 4

Question 66 :

Soit la capture wireshark ci-dessous :

No.	Time	Source	Destination	Protocol	Length	Info
11	3.5...	192.168.104.100	192.168.104.145	FTP	81	Response: 220 Microsoft FTP Service
20	7.1...	192.168.104.145	192.168.104.100	FTP	70	Request: USER anonymous
21	7.1...	192.168.104.100	192.168.104.145	FTP	126	Response: 331 Anonymous access allowed, send identity
24	8.5...	192.168.104.145	192.168.104.100	FTP	72	Request: PASS jhjuhvhjhwjk
25	8.5...	192.168.104.100	192.168.104.145	FTP	85	Response: 230 Anonymous user logged in.
32	13...	192.168.104.145	192.168.104.100	FTP	84	Request: PORT 192,168,104,145,192,173
33	13...	192.168.104.100	192.168.104.145	FTP	84	Response: 200 PORT command successful.
34	13...	192.168.104.145	192.168.104.100	FTP	60	Request: NLST
35	13...	192.168.104.100	192.168.104.145	FTP	109	Response: 150 Opening ASCII mode data connection for :
45	13...	192.168.104.100	192.168.104.145	FTP	78	Response: 226 Transfer complete.
49	16...	192.168.104.145	192.168.104.100	FTP	64	Request: CWD test
50	16...	192.168.104.100	192.168.104.145	FTP	83	Response: 250 CWD command successful.
52	17...	192.168.104.145	192.168.104.100	FTP	84	Request: PORT 192,168,104,145,192,174
53	17...	192.168.104.100	192.168.104.145	FTP	84	Response: 200 PORT command successful.
54	17...	192.168.104.145	192.168.104.100	FTP	60	Request: NLST
55	17...	192.168.104.100	192.168.104.145	FTP	109	Response: 150 Opening ASCII mode data connection for :
66	18...	192.168.104.100	192.168.104.145	FTP	78	Response: 226 Transfer complete.
73	26...	192.168.104.145	192.168.104.100	FTP	84	Request: PORT 192,168,104,145,192,175
74	26...	192.168.104.100	192.168.104.145	FTP	84	Response: 200 PORT command successful.
75	26...	192.168.104.145	192.168.104.100	FTP	68	Request: RETR bla.txt

<

> Frame 11: 81 bytes on wire (648 bits), 81 bytes captured (648 bits)
> Ethernet II, Src: IntelCor_3d:ea:81 (00:1b:21:3d:ea:81), Dst: Inventec_8e:d3:53 (00:26:6c:8e:d3:53)
> Internet Protocol Version 4, Src: 192.168.104.100, Dst: 192.168.104.145
> Transmission Control Protocol, Src Port: 21, Dst Port: 49324, Seq: 1, Ack: 1, Len: 27
v File Transfer Protocol (FTP)
 > 220 Microsoft FTP Service\r\n

Quel est le numéro de port du serveur FTP utilisé pour l'établissement d'une connexion FTP ?

- a) 192
- b) 168
- c) 104
- d) 21

Question 67:

D'après la capture Wireshark de la question précédente, le nom de la personne connectée est :

- a) jhjwhvjhwjk
- b) NLST
- c) Le compte anonyme
- d) Le compte administrateur

Question 68 :

Soit le fichier de configuration suivant :

```
Interface FastEthernet0/0
 ip address 10.10.10.1 255.255.255.0
 ip nat inside

Interface FastEthernet0/1
 ip address dhcp
 ip nat outside

ip nat inside source list 101 interface FastEthernet0/1 overload
access-list 101 permit ip 10.10.10.0 0.0.0.255 any
```

Quel est le rôle de la dernière ligne de configuration ?

- a) Elle définit les adresses IP qui subiront une translation d'adresse.
- b) Elle autorise toutes les adresses IP à traverser le routeur de l'interface outside vers l'interface inside.
- c) Elle autorise le protocole ICMP à traverser le routeur.
- d) Elle autorise la mise en œuvre du protocole dhcp.

Question 69 :

Soit l'access-list suivante :

```
access-list 101 permit TCP 172.16.0.0 0.0.0.255 any eq 22
```

Quelle est sa signification ?

- a) Le trafic SSH sera autorisé du réseau 172.16.0.0 vers toutes les destinations
- b) Le trafic SSH sera autorisé de n'importe quelle adresse IP vers le réseau 172.16.0.0
- c) Tout le trafic TCP sera autorisé de toutes les machines vers le réseau 172.16.0.0
- d) Tout le trafic TCP sera autorisé du réseau 172.16.0.0 vers toutes les machines

Question 70 :

Une entreprise a besoin d'une connexion sécurisée entre le siège et sa filiale. Quels sont les protocoles qui pourront être implémentés pour sécuriser la connexion entre les deux sites ?

- a) GRE
- b) NAS
- c) PPTP
- d) WPA2

Question 71 :

Parmi les items suivants, lequel représente un chiffrement symétrique ?

- a) Diffie-Hellman
- b) Certificat numérique
- c) Clé partagée
- d) Signature RSA

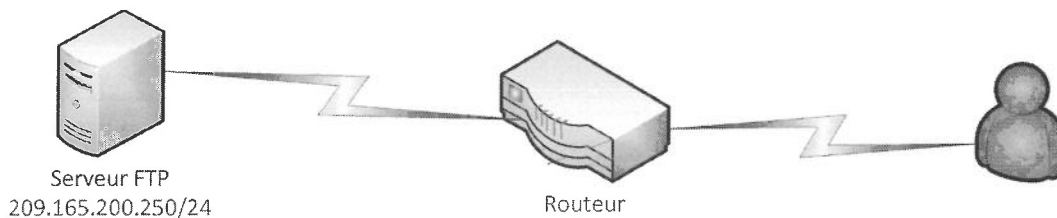
Question 72 :

Quels sont les protocoles de chiffrement qui permettent d'implémenter la confidentialité des données sur un réseau privé virtuel (VPN) ?

- a) AES
- b) VRRP
- c) AH
- d) DES

Question 73 :

Soit le résultat du test réalisé entre l'utilisateur et le serveur FTP, présenté ci-dessous :



```
reply from 209.165.200.250 :bytes=32 time=282ms TTL=239
reply from 209.165.200.250 :bytes=32 time=133ms TTL=239
reply from 209.165.200.250 :bytes=32 time=118ms TTL=239
reply from 209.165.200.250 :bytes=32 time=123ms TTL=239
```

D'après les informations affichées, quelles sont les couches du modèle OSI qui fonctionnent correctement ?

- a) Couches 1 et 2
- b) Couches 1 à 3
- c) Couches 1 à 5
- d) Couches 1 à 7

Question 74 :

Soit une partie du résultat de la commande `show ip route` :

```
Routeur1#show ip route
Codes : C - connected, S - static, R - RIP, B - BGP
        * - candidate default
Gateway of last resort is not set
  172.16.0.0/24 is subnetted, 3 subnets
S       172.16.1.0 [1/0] via 172.16.2.2
C       172.16.2.0 is directly connected, Serial0/0/0
C       172.16.3.0 is directly connected, FastEthernet0/0
S      192.168.1.0/24 [1/0] via 172.16.2.2
S*     0.0.0.0/0 is directly connected, FastEthernet0/0
.....
```

D'après cet affichage, que va faire le Routeur1 lorsqu'il recevra un paquet à destination de l'adresse IP 192.168.1.5 ?

- a) Il détermine la destination d'après l'algorithme de routage dynamique BGP.
- b) Il transmet le paquet à l'adresse IP 172.16.2.2
- c) Il abandonne le paquet.
- d) Il transmet le paquet à la passerelle par défaut.

Question 75 :

Quels sont les services utilisant le protocole TCP parmi ceux proposés ci-dessous ?

- a) ftp
- b) rtp
- c) tftp
- d) http

Session 2022

CONCOURS DE RECRUTEMENT D'ÉLÈVES
INGÉNIEURS ÉLECTRONICIENS DES SYSTÈMES DE LA SÉCURITÉ
AÉRIENNE

TECHNIQUE G.E.I.I.
(ÉPREUVE OBLIGATOIRE A OPTION)

Durée : 4 heures

Coefficient : 6

TOUT DISPOSITIF ELECTRONIQUE EST INTERDIT EN
PARTICULIER L'USAGE DE LA CALCULATRICE



Cette épreuve comporte :

- 1 page de garde (recto)
- 1 page d'instructions pour remplir le Q.C.M. (recto)
- 32 pages de sujet composé de trois parties (recto verso) :

↳ 1^{ère} sous-épreuve – **Électronique analogique** :
de la page EA.1 à EA.9 (17 questions numérotées de 1 à 17)

↳ 2^{ème} sous-épreuve – **Électronique numérique et Informatique**, pages numérotées de ENI.1 à ENI.17 (27 questions numérotées de 18 à 44)

↳ 3^{ème} sous-épreuve – **Réseaux** :
de la page R.1 à R. 7 (16 questions numérotées de 45 à 60)

ÉPREUVE TECHNIQUE OBLIGATOIRE A OPTION*A LIRE TRÈS ATTENTIVEMENT*

L'épreuve obligatoire à option Génie Electrique et Informatique Industrielle de ce concours est un questionnaire à choix multiple qui sera corrigé informatiquement.

- 1) Pour remplir ce QCM, vous devez utiliser un stylo à bille ou feutre à encre foncée bleue ou noire. Vous devez **cocher** la case en vue de la lecture informatisée de votre QCM.
- 2) Utilisez le sujet comme brouillon (ou les feuilles de brouillon qui vous seront fournies à la demande par le (la) surveillant(e) qui s'occupe de votre rangée) et ne retranscrivez vos réponses qu'après vous être relu soigneusement.
- 3) Votre QCM ne doit pas être souillé, froissé, plié, écorné ou porter des inscriptions superflues, sous peine d'être rejeté informatiquement et de ne pas être corrigé.
- 4) Si vous voulez **modifier** votre réponse, n'utilisez pas de correcteur mais indiquez la nouvelle réponse sur la 2^{ème} ligne.
- 5) Si vous voulez **annuler** votre réponse, vous devez cocher la case « An ». Dans ce cas-là, **aucune** réponse ne sera prise en compte.
- 6) A chaque question numérotée entre 1 et 60, correspond sur la feuille-réponses une ligne de cases qui porte le même numéro (les lignes 61 à 80 seront neutralisées).

Chaque question comporte au plus deux réponses exactes.

- 7) A chaque question numérotée entre 1 et 60, correspond sur la feuille-réponses une ligne de cases qui porte le même numéro. Chaque ligne comporte 5 cases A, B, C, D, E.

Pour chaque ligne numérotée de 1 à 60, vous vous trouvez en face de 4 possibilités :

- ▶ soit vous décidez de ne pas traiter cette question,
la ligne correspondante doit rester vierge.
- ▶ soit vous jugez que la question comporte une seule bonne réponse :
vous devez cocher l'une des cases A, B, C, D.
- ▶ soit vous jugez que la question comporte deux réponses exactes :
*vous devez cocher deux des cases A, B, C, D et **deux seulement**.*
- ▶ soit vous jugez qu'aucune des réponses proposées A, B, C, D n'est bonne :
vous devez alors cocher la case E.

Attention, toute réponse fausse peut entraîner pour la question correspondante une pénalité dans la note.

1^{ère} Sous-épreuve : Electronique Analogique

EXERCICE 1.

Pour mesurer une température, on utilise un fil de platine présentant une résistance R_x , sensible à la température à mesurer. On utilise alors la **méthode du pont de Wheastone**, afin de récupérer la valeur de R_x .

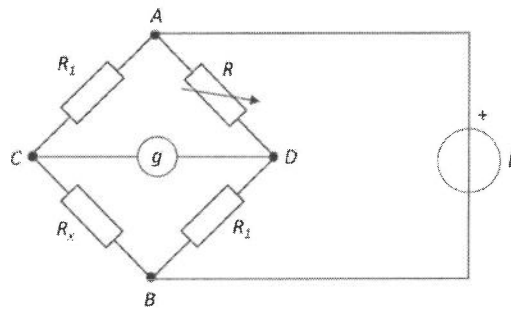


Figure 1.

Ce « pont » est monté conformément au schéma de la figure 1 :

- La branche CB est constituée par la résistance de platine R_x ,
- La branche AD par une boîte de résistances (on désignera par R la résistance en service),
- Les branches AC et DB par des résistances identiques $R_1 = 1000\Omega$,
- La diagonale intérieure CD par le voltmètre (g),
- La diagonale extérieure AB par un accumulateur de résistance négligeable et de force électromotrice $E = 2V$.

Seule la résistance R_x est portée à la température T à mesurer ; les autres sont maintenues à la température du laboratoire supposée constante.

Question 1.

En considérant l'impédance d'entrée du voltmètre très grande, que peut-on dire de l'intensité du courant I_V qui traverse ce voltmètre par rapport aux autres intensités présentes dans le circuit ?

- a) $I_V = 0$
- b) $I_V = \frac{E}{2}$
- c) $I_V = \frac{E}{2.R_1 + R + R_x}$
- d) $I_V \rightarrow \infty$

Question 2.

Exprimer la tension U_{CD} en fonction de E et des résistances du circuit. On pourra dans un premier temps exprimer les tensions U_{CB} et U_{DB} .

$$\text{a) } U_{CD} = \left[\frac{R_1}{R_1+R_x} + \frac{R_1}{R_1+R} \right] \cdot E$$

$$\text{b) } U_{CD} = \left[\frac{R_1}{R_1+R_x} - \frac{R_1}{R_1+R} \right] \cdot E$$

$$\text{c) } U_{CD} = \left[\frac{R_x}{R_1+R_x} + \frac{R_1}{R_1+R} \right] \cdot E$$

$$\text{d) } U_{CD} = \left[\frac{R_x}{R_1+R_x} - \frac{R_1}{R_1+R} \right] \cdot E$$

Question 3.

Etablir la relation liant R_x , R_1 et R pour $U_{CD} = 0$ (Condition d'équilibrage).

$$\text{a) } \frac{R_1}{R_1+R_x} = - \frac{R_1}{R_1+R}$$

$$\text{b) } \frac{R_1}{R_1+R_x} = \frac{R_1}{R_1+R}$$

$$\text{c) } \frac{R_x}{R_1+R_x} = - \frac{R_1}{R_1+R}$$

$$\text{d) } \frac{R_x}{R_1+R_x} = \frac{R_1}{R_1+R}$$

EXERCICE 2.

On considère le montage de la figure 2, dans lequel le transistor fonctionne en commutation. Dans son circuit collecteur, on place la bobine d'un relais, assimilable à une résistance R de 100Ω et alimentée sous une tension V_{CC} de $25V$.

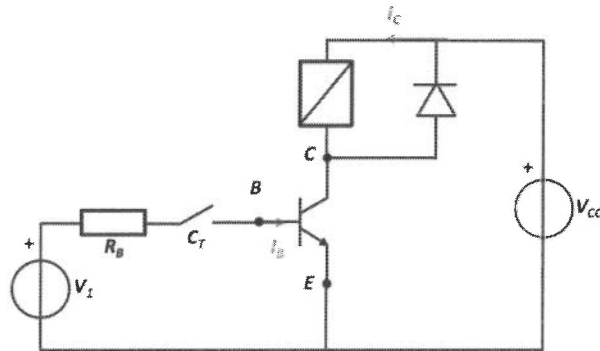


Figure 2.

On donne $\beta = 100$, $V_{BESat} = 1V$, $V_1 = 5V$ et $V_{CESat} = 1V$.

Question 4.

Exprimer puis calculer le courant circulant dans la bobine du relais lorsque le transistor est considéré comme passant (et donc saturé).

- a) $I_C = 2,4mA$
- b) $I_C = 24mA$
- c) $I_C = 240mA$
- d) $I_C = 2,4A$

Question 5.

Lorsque le transistor est passant, quel est l'état du contact C_T ?

- a) Fermé, avec une chute de tension nulle à ses bornes
- b) Fermé, avec une chute de tension V_{BESat} à ses bornes
- c) Ouvert
- d) L'état de C_T n'importe pas sur le mode de conduction (passant, bloqué) du transistor

Question 6.

Exprimer puis calculer le courant I_B nécessaire pour saturer le transistor.

- a) $I_B = 2,4mA$
- b) $I_B = 24mA$
- c) $I_B = 240mA$
- d) $I_B = 2,4A$

Question 7.

En déduire l'expression puis la valeur de la résistance de base R_B .

- a) $R_B = \frac{V_1 - V_{BESat}}{I_B} = \frac{5-1}{2,4 \cdot 10^{-3}} = 1667\Omega$
- b) $R_B = \frac{V_1 - V_{BESat}}{I_B} = \frac{5-1}{24 \cdot 10^{-3}} = 166,7\Omega$
- c) $R_B = \frac{V_1 - V_{BESat}}{I_B} = \frac{5-1}{240 \cdot 10^{-3}} = 16,67\Omega$
- d) $R_B = \frac{V_1 - V_{BESat}}{I_B} = \frac{5-1}{2,4} = 1,667\Omega$

EXERCICE 3.

On considère le montage de la figure 3, représentant une association série d'une résistance variable R , d'un condensateur C et d'une bobine d'inductance L , alimentée par un générateur de tension $e(t)$. **Les deux parties sont indépendantes.**

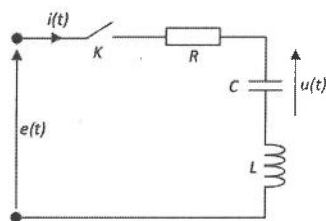


Figure 3.

Première partie.

Dans un premier temps, on alimente ce circuit à l'aide d'une tension continue $e(t) = E_0$. On ferme l'interrupteur à l'instant t_0 .

Question 8.

Déterminer l'équation différentielle dont la tension $u(t)$ aux bornes du condensateur est solution. On explicitera cette équation en fonction de la pulsation propre $\omega_0 = \frac{1}{\sqrt{LC}}$ et du

facteur d'amortissement de ce circuit $\lambda = \frac{R}{2} \cdot \sqrt{\frac{C}{L}}$.

- a) $\frac{1}{\omega_0^2} \cdot \frac{d^2 u}{dt^2} - 2 \cdot \frac{\lambda}{\omega_0} \cdot \frac{du}{dt} + u(t) = E_0$
- b) $\frac{1}{\omega_0} \cdot \frac{d^2 u}{dt^2} + 2 \cdot \frac{\lambda^2}{\omega_0} \cdot \frac{du}{dt} + u(t) = E_0$
- c) $\frac{1}{\omega_0^2} \cdot \frac{d^2 u}{dt^2} + 2 \cdot \frac{\lambda}{\omega_0} \cdot \frac{du}{dt} + u(t) = E_0$
- d) $\frac{1}{\omega_0} \cdot \frac{d^2 u}{dt^2} - 2 \cdot \frac{\lambda^2}{\omega_0} \cdot \frac{du}{dt} + u(t) = E_0$

Question 9.

Quelle est l'affirmation juste dans les propositions suivantes (*une seule réponse possible*) ?

- a) Si $\lambda < 1$, le circuit fonctionne en régime critique.
- b) Si $R < 2 \cdot \sqrt{\frac{L}{C}}$ alors $\lambda < 1$: le régime sera pseudo-périodique
- c) Si $R < 2 \cdot \sqrt{\frac{L}{C}}$ alors $\lambda < 1$: le régime sera critique
- d) Si $R < 2 \cdot \sqrt{\frac{L}{C}}$ alors $\lambda < 1$: le régime sera amorti

Deuxième partie.

Dans la suite du problème, on alimente le circuit à l'aide d'une tension $e(t) = E_0 \cdot \cos \omega t$. On ferme l'interrupteur et on attend suffisamment longtemps pour pouvoir considérer qu'un régime permanent sinusoïdal est établi dans le circuit.

Question 10.

Déterminer l'expression de l'amplitude complexe de la tension \underline{U} .

- a) $\underline{U} = \frac{E_0 \cdot e^{j\omega t}}{1 - LC\omega^2 + jRC\omega}$
- b) $\underline{U} = \frac{E_0}{1 - LC\omega^2 + jRC\omega}$
- c) $\underline{U} = \frac{E_0 \cdot e^{j\omega t}}{1 - LC\omega^2 - jRC\omega}$
- d) $\underline{U} = \frac{E_0}{1 - LC\omega^2 - jRC\omega}$

Question 11.

Exprimer son module $U = |\underline{U}|$.

- a) $U = |\underline{U}| = \frac{E_0}{\sqrt{1 - LC\omega^2 + RC\omega}}$
- b) $U = |\underline{U}| = \frac{E_0}{\sqrt{1 - LC\omega^2 + (RC\omega)^2}}$
- c) $U = |\underline{U}| = \frac{E_0}{\sqrt{(1 - LC\omega)^2 + (RC\omega)^2}}$
- d) $U = |\underline{U}| = \frac{E_0}{\sqrt{(1 - LC\omega^2)^2 + (RC\omega)^2}}$

Par la suite, on définit λ comme le facteur d'amortissement. On montre que, si λ est supérieure à une valeur limite λ_r , la fonction $H(\omega) = \frac{|\underline{U}|}{E_0}$ est strictement décroissante. On rappelle :

$$\lambda = \frac{R}{2} \cdot \sqrt{\frac{C}{L}}$$

Question 12.

Exprimer la valeur de λ_r associée.

- a) $\lambda_r = 1$
- b) $\lambda_r = -1$
- c) $\lambda_r = \frac{\sqrt{2}}{2}$
- d) $\lambda_r = \frac{-2}{\sqrt{2}}$

Question 13.

Exprimer la valeur de R correspondante à $\lambda_r = \lambda$.

- a) $R = 1\Omega$
- b) $R = \sqrt{2} \cdot \frac{L}{C}$
- c) $R = \sqrt{\frac{2L}{C}}$
- d) $R = \frac{\sqrt{2L}}{C}$

EXERCICE 4.

On considère le montage de la figure 4, dans lequel l'amplificateur opérationnel est considéré comme idéal. U et U' sont deux tensions appliquées sur les deux entrées.

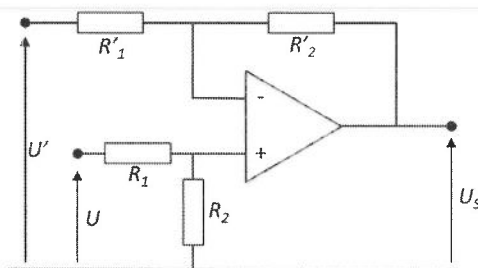


Figure 4.

Question 14.

Rappeler la condition d'idéalité d'un amplificateur opérationnel.

- a) $V^+ = V^-$
- b) $i^+ = i^- = 0$
- c) $V^+ = V^-$ et $V_S = \pm V_{sat}$
- d) $V^+ = V^- = 0$ et $V_S = \pm V_{sat}$

Question 15.

Déterminer la relation existante entre la tension de sortie U_S , les tensions U et U' ainsi que les résistances R_1 , R_2 , R'_1 et R'_2 .

- a) $U_S = -\frac{R_2}{R_1} \cdot U' + \left(\frac{R'_2 + R'_1}{R'_1} \cdot \frac{R_2}{R_1 + R_2} \right) \cdot U$
- b) $U_S = -\left[\frac{R_2}{R_1} \cdot U' + \left(\frac{R'_2 + R'_1}{R'_1} \cdot \frac{R_2}{R_1 + R_2} \right) \cdot U \right]$
- c) $U_S = -\frac{R'_2}{R'_1} \cdot U' + \left(\frac{R'_2 + R'_1}{R'_1} \cdot \frac{R_2}{R_1 + R_2} \right) \cdot U$
- d) $U_S = -\frac{R_2}{R_1} \cdot U + \left(\frac{R'_2 + R'_1}{R'_1} \cdot \frac{R_2}{R_1 + R_2} \right) \cdot U'$

Question 16.

On prend $R'_1 = R_1$ ainsi que $R'_2 = R_2$. Donner l'expression simplifiée de la relation précédente.

- a) $U_S = \frac{R_2}{R_1} \cdot (U + U')$
- b) $U_S = \frac{R_2}{R_1} \cdot (U - U')$
- c) $U_S = -\frac{R_2}{R_1} \cdot (U + U')$
- d) $U_S = -\frac{R_2}{R_1} \cdot (U - U')$

Question 17.

Quel est le rôle de ce montage ?

- a) Additionneur de gain $\frac{R_2}{R_1}$
- b) Amplificateur de différence de gain $\frac{R_2}{R_1}$
- c) Additionneur inverseur de gain $\frac{R_2}{R_1}$
- d) Amplificateur inverseur de différence de gain $\frac{R_2}{R_1}$

2^{ème} sous-épreuve : Électronique numérique et informatique

Préambule

Les expressions d'indice des tableaux figurent entre les symboles [et].

Les paramètres des sous-programmes et fonctions figurent entre les symboles (et).

Les nombres binaires signés sont représentés en complément à deux.

Les éléments de base du langage C sont considérés comme connus.

Les éléments de base du langage VHDL sont considérés comme connus.

Notations	
Opérateur logique NON	(barre) $\bar{\quad}$
Opérateur logique ET	(point) \cdot ou implicite (rien)
Opérateur logique OU	(plus) $+$
Opérateur logique OU EXCLUSIF	\oplus
1Ko ou ko, 1Mo, 1Go	respectivement 2^{10} octets = 1024 octets, 2^{20} octets, 2^{30} octets,
Nombre en décimal	Notation habituelle (suite de chiffres décimaux)
Nombre en hexadécimal	Suite de symboles hexadécimaux suivie de la lettre h ou H Ou $0xUWXY$ U,W,X,Y étant des symboles hexadécimaux Exemple $20AC_H$ est identique à $0x20AC$
Nombre binaire	Suite de symboles binaires suivie de b ou B
Les opérateurs logiques en langage C	
Opérateur logique NEGATION bit à bit	\sim
Opérateur logique ET bit à bit	$\&$
Opérateur logique OU bit à bit	$ $
Opérateur logique Ou exclusif bit à bit	\wedge
Décalage binaire à gauche	\ll
Décalage binaire à droite	\gg

Partie I : Systèmes combinatoires

Question 18

On considère A, B et C, trois variables logiques. Parmi les égalités suivantes :

$\overline{A + (B + C)} = \bar{A} \cdot \bar{B} + \bar{C}$	$\overline{A \oplus B} = A \cdot B + \bar{A} \cdot \bar{B}$	$A \cdot B \cdot \overline{C + 1} = 0$
$A \oplus \bar{B} = A \cdot B + \bar{A} \cdot \bar{B}$	$A + \bar{A} \cdot B = A + B$	$A \cdot (\bar{A} + B) = A + B$

- Seulement 2 sont correctes.
- Seulement 3 sont correctes.
- Seulement 4 sont correctes.
- Seulement 5 sont correctes.

Question 19

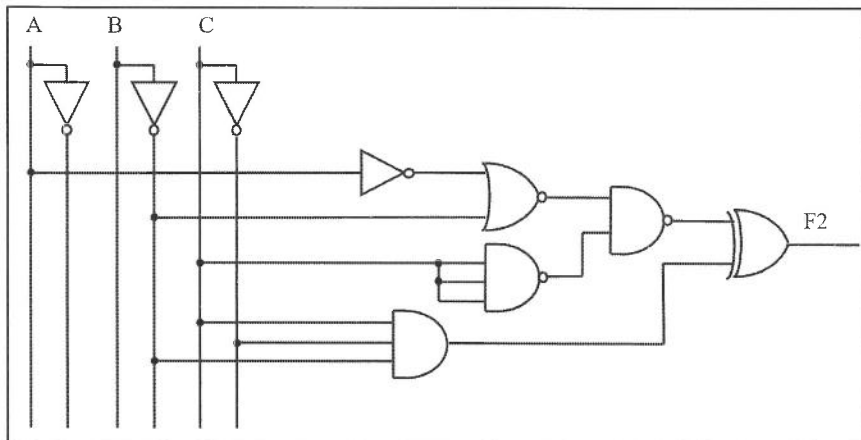
On considère les variables logiques A, B, C et D. Indiquer parmi les expressions suivantes, celle correspond à une expression simplifiée de :

$$\bar{A} \cdot \bar{B} \cdot \bar{C} \cdot D + B \cdot (C \oplus D) + C \cdot D \cdot (A \oplus B) + A \cdot \bar{B} \cdot \bar{C} \cdot D + C \cdot D \cdot (A \cdot B + \bar{A} \cdot \bar{B})$$

- $B \cdot D + A \cdot C$
- $B \cdot D + B \cdot \bar{C}$
- $B \cdot D + \bar{B} \cdot C$
- $\bar{A} \cdot \bar{B} \cdot (C + D)$

Question 20

On considère les variables logiques A, B et C. Indiquer parmi les expressions suivantes, celle qui est équivalente à F2 :



- 0
- $\overline{A \cdot B \cdot \bar{C}}$
- $A \cdot B \cdot \bar{C} \oplus \bar{B}$
- 1

Question 21

Quelle table de vérité correspond à l'expression logique F3 (A,B,C,D) ?

$$F3(A,B,C,D) = \overline{\overline{A} \oplus B} \cdot D + \overline{\overline{A} \cdot B \cdot \overline{C}} + A \cdot B \cdot \overline{D}$$

A	B	C	F3
0	0	0	1
0	0	1	1
0	1	0	0
0	1	1	1
1	0	0	1
1	0	1	1
1	1	0	0
1	1	1	D

A	B	C	F3
0	0	0	1
0	0	1	1
0	1	0	0
0	1	1	1
1	0	0	1
1	0	1	1
1	1	0	D
1	1	1	0

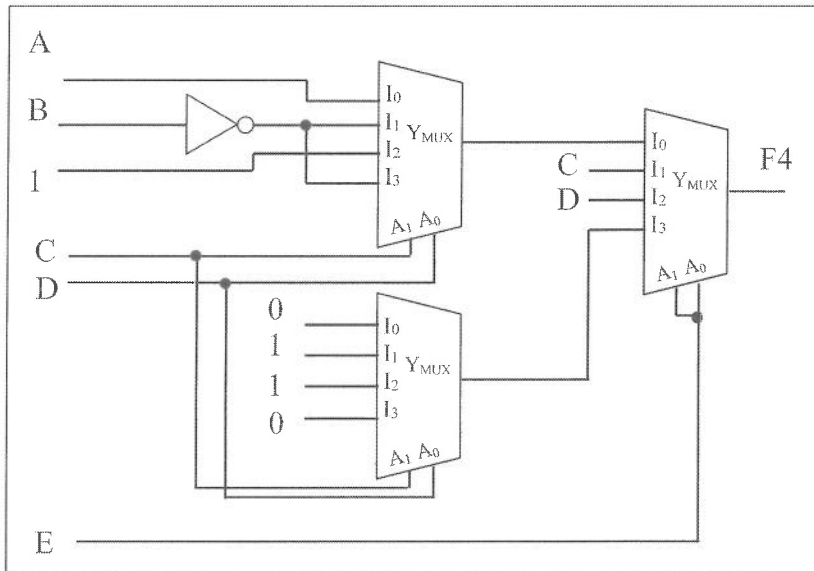
A	B	C	F3
0	0	0	1
0	0	1	1
0	1	0	0
0	1	1	1
1	0	0	1
1	0	1	1
1	1	0	0
1	1	1	0

A	B	C	F3
0	0	0	1
0	0	1	1
0	1	0	0
0	1	1	1
1	0	0	1
1	0	1	1
1	1	0	D
1	1	1	D

- a) La table 1.
- b) La table 2.
- c) La table 3.
- d) La table 4.

Question 22

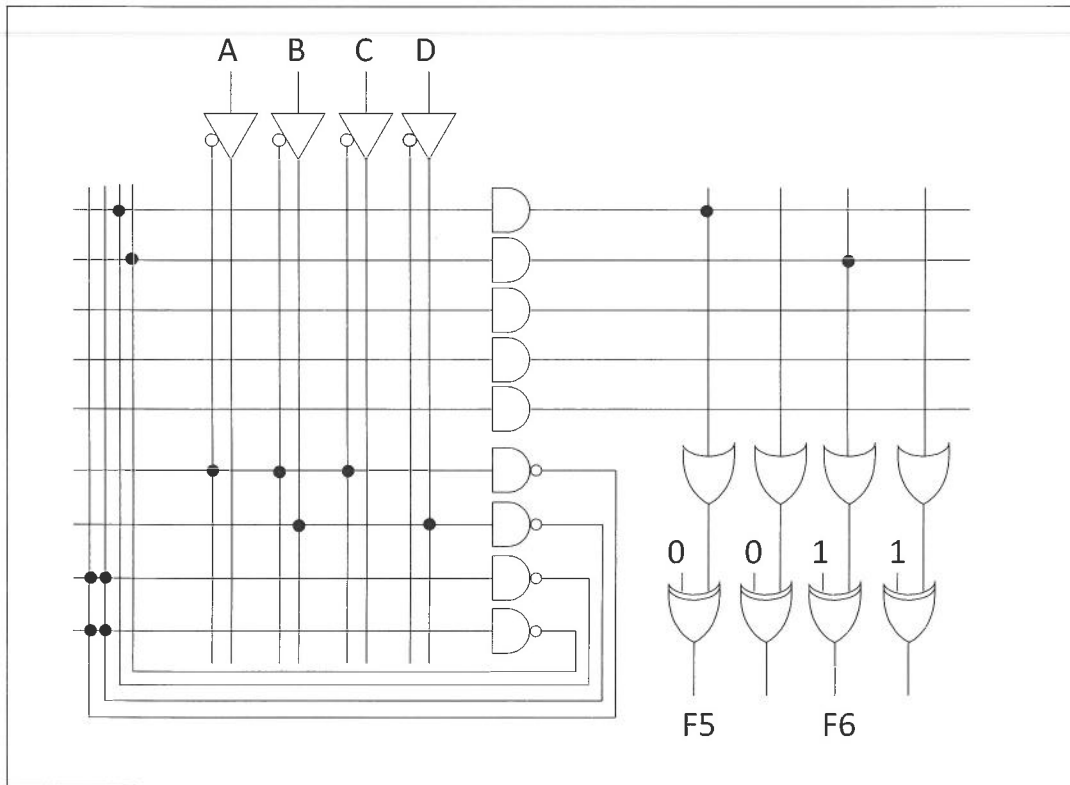
On dispose de multiplexeur 4 vers 1 (2 entrées de sélection A₁ et A₀, A₀ étant le poids faible, 4 entrées de données I₀ à I₃, I₀ étant le poids faible), indiquer parmi les expressions suivantes, celle qui correspond à une expression de F4 :



- a) $F4 = E \cdot (\overline{D} \cdot (A + C) + \overline{B} \cdot D) + \overline{E} \cdot (C \oplus D)$
- b) $F4 = \overline{E} \cdot (D \cdot (A + C) + \overline{B} \cdot \overline{D}) + E \cdot (C \oplus D)$
- c) $F4 = \overline{E} \cdot (\overline{D} \cdot (A + C) + \overline{B} \cdot D) + E \cdot (C \oplus D)$
- d) $F4 = \overline{E} \cdot (\overline{D} \cdot (A + C) + \overline{B} \cdot D) + E \cdot (\overline{C \oplus D})$

Question 23

On considère les variables logiques A, B, C, D, F5, F6 et l'expandeur suivant. Indiquer parmi les propositions suivantes, celle qui est vraie :



- a) $F5 = \bar{A}.\bar{B}.\bar{C} + B.D$ et $F6 = A.B.C + B.D$
 b) $F5 = \bar{A}.\bar{B}.\bar{C} + B.D$ et $F6 = (A + B + C).(\bar{B} + \bar{D})$
 c) $F5 = \bar{A}.\bar{B}.\bar{C} + B.D$ et $F6 = \bar{A}.\bar{B}.\bar{C} + \bar{B}.\bar{D}$
 d) $F5 = (A + B + C).(\bar{B} + \bar{D})$ et $F6 = \bar{A}.\bar{B}.\bar{C} + B.D$

Question 24

On souhaite utiliser un 74HC153 (dont on donne ci-dessous un extrait de la documentation technique) afin de réaliser le multiplexeur 8 vers 1 ci-dessous.

MC74HC153A

Dual 4-Input Data Selector/Multiplexer

High-Performance Silicon-Gate CMOS

The MC74HC153 is identical in pinout to the LS153. The device inputs are compatible with standard CMOS outputs; with pullup resistors, they are compatible with LSTTL outputs.

The Address Inputs select one of four Data Inputs from each multiplexer. Each multiplexer has an active-low Strobe control and a noninverting output.

The HC153 is similar in function to the HC253, which has 3-state outputs.

Features

- Output Drive Capability: 10 LSTTL Loads
- Outputs Directly Interface to CMOS, NMOS, and TTL
- Operating Voltage Range: 2 to 6 V
- Low Input Current: 1 μ A
- High Noise Immunity Characteristic of CMOS Devices
- These are Pb-Free Devices

PIN 16 = V_{CC}
PIN 8 = GND

ON Semiconductor[®]

<http://onsemi.com>

SOIC-16
D SUFFIX
CASE 751B

TSSOP-16
DT SUFFIX
CASE 948F

MARKING DIAGRAMS

A = Assembly Location
WL, L = Wafer Lot
YY, Y = Year
WW, W = Work Week
G or * = Pb-Free Package
(Note: Microdot may be in either location)

PIN ASSIGNMENT

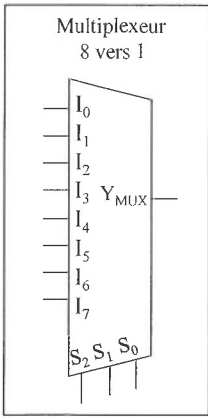
STROBE a	1	16	V _{CC}
A1	2	15	STROBE b
D3 _a	3	14	A0
D2 _a	4	13	D3 _b
D1 _a	5	12	D2 _b
D0 _a	6	11	D1 _b
Y _s	7	10	D0 _b
GND	8	9	Y _b

FUNCTION TABLE

Inputs				Output
A1	A0	Strobe	Y	
X	X	H	L	
L	L	L	D0	
L	H	L	D1	
H	L	L	D2	
H	H	L	D3	

D0, D1, D2, and D3 = the level of the respective data input.

Figure 1. Logic Diagram



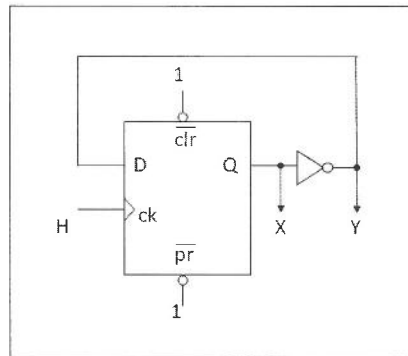
Indiquer parmi les propositions suivantes, celle qui est vraie :

- a) Pour réaliser le multiplexeur 8 vers 1, un 74HC153, une porte NOT et une porte OR à deux entrées, sont nécessaires.
- b) Pour réaliser le multiplexeur 8 vers 1, un 74HC153 et une seule porte logique, plus précisément une porte NOT, sont nécessaires.
- c) Pour réaliser le multiplexeur 8 vers 1, un 74HC153 suffit, aucune porte logique supplémentaire n'est nécessaire.
- d) Pour réaliser le multiplexeur 8 vers 1, un 74HC153, une porte NOT et une porte AND à deux entrées, sont nécessaires.

Partie II : Systèmes séquentiels simples

Question 25

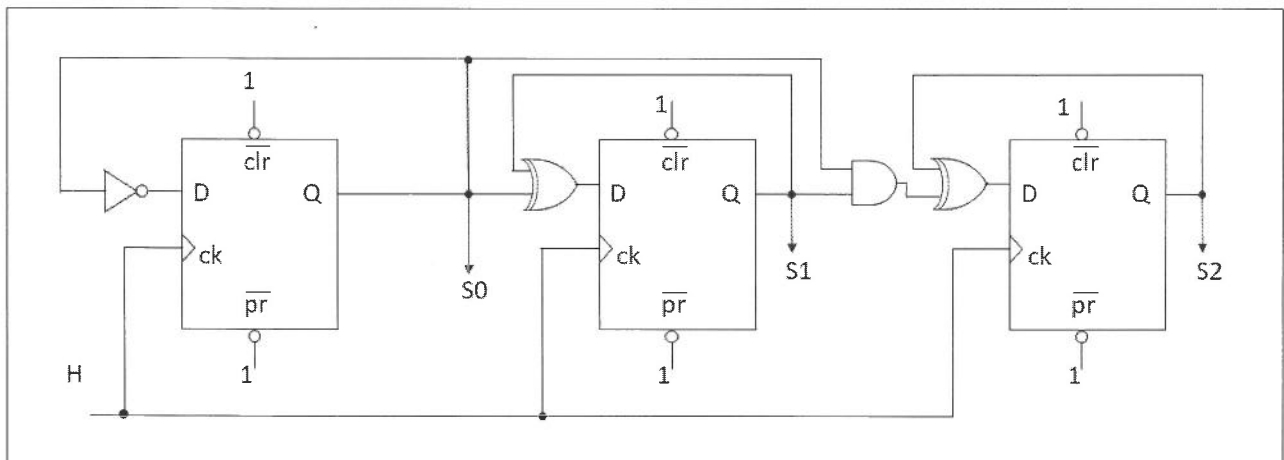
En considérant la fréquence de l'horloge H égale à 10MHz, le temps de propagation dans la porte NOT de 10ns, donner la période des signaux X et Y ?



- a) Période de X = 0.2 μ s et Période de Y = 0.2 μ s
- b) Période de X = 0.2 μ s et Période de Y = 0.21 μ s
- c) Période de X = 0.21 μ s et Période de Y = 0.21 μ s
- d) Période de X = 0.21 μ s et Période de Y = 0.2 μ s

Question 26

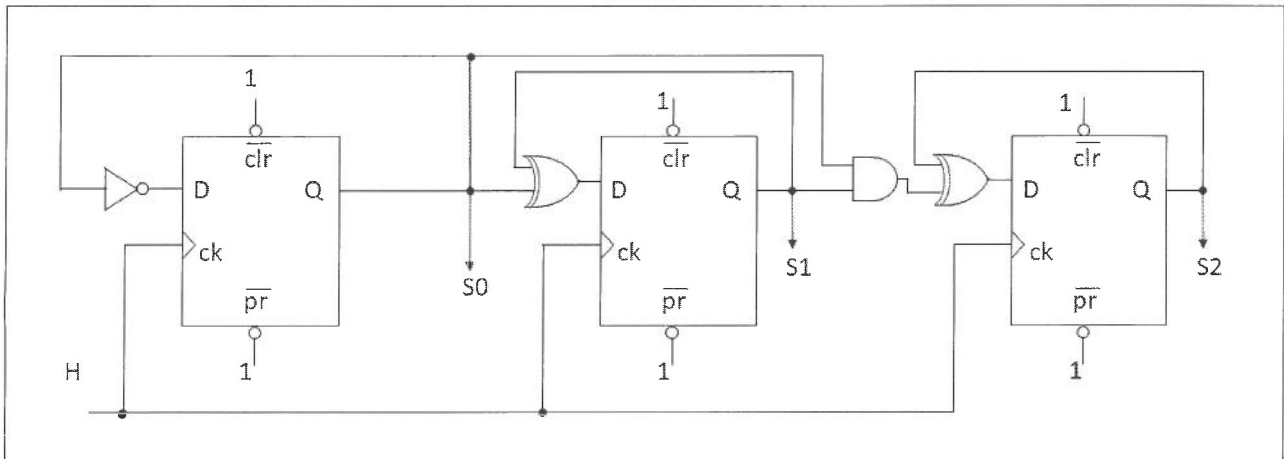
En considérant la fréquence de l'horloge H égale à 10MHz, le temps de propagation dans toutes les portes logiques de 10ns, que réalise ce système ?



- a) Un compteur binaire naturel sur 3 bits en considérant S0 le LSB et S2 le MSB.
- b) Un registre à décalage sur 3 bits en considérant S0 le LSB et S2 le MSB.
- c) Un générateur de codes pseudo-aléatoires sur 3 bits en considérant S0 le LSB et S2 le MSB.
- d) Un registre à tampon sur 3 bits en considérant S0 le LSB et S2 le MSB.

Question 27

En considérant la fréquence de l'horloge H égale à 10MHz, le temps de propagation dans toutes les portes logiques de 10ns, parmi les propositions suivantes, laquelle (lesquelles) est (sont) correcte(s) ?



- Ce système est un système séquentiel synchrone.
- Ce système est un système séquentiel asynchrone.
- Ce système est un système séquentiel pseudo-synchrone.
- Ce système est un système combinatoire.
- Ce système est un système pseudo-combinatoire.
- Grâce à la présence des bascules D, ce système ne présente pas de glitch sur les sorties S(2..0).
- Les glitches sur les sorties S(2..0) sont dues à la présence des portes logiques.

- a) Aucune de ces propositions n'est correcte.
- b) Une seule de ces propositions est correcte.
- c) Deux ou trois de ces propositions sont correctes.
- d) Plus de trois de ces propositions sont correctes.

Question 28

On considère la description VHDL d'une fonction « myFunction » ci-dessous disponible dans un package.

```
library ieee;
use ieee.std_logic_1164.all;
use ieee.std_logic_unsigned.all;

entity myFunction is
generic (n: natural := 3);
port (
    ck, arazb    : in std_logic;
    sload, en    : in std_logic;
    E            : in std_logic_vector (n-1 downto 0);
    Qout        : out std_logic_vector (1 downto 0)
);
end entity;

architecture ar_fct of myFunction is
signal Qi : std_logic_vector(n-1 downto 0);
begin
process(ck, arazb, E)
begin
    if arazb = '0' then
        Qi <= (others => '0');
    elsif (ck'event and ck='1') then
        if sload='1' then
            Qi <= E;
        elsif en = '1' then
            Qi <= Qi - 1;
        end if;
    end if;
end process;
Qout(1) <= Qi(0);
Qout(0) <= '1' when Qi=0 else '0';
end architecture;
```

On s'intéresse uniquement à l'utilisation de cette fonction. En considérant l'instanciation suivante, indiquer la fréquence du signal Y, sachant que :

X et Y sont des signaux internes de type `std_logic`

clk est un signal d'entrée de type `std_logic` et dont la fréquence est de 20 MHz

```
u_myFunction : myFunction
generic map (4)
port map ( ck      => clk,
           arazb   => '1',
           E       => "1001",
           sload   => X,
           en      => '1',
           Qout(0) => Y,
           Qout(1) => X
);
```

- a) La fréquence de Y est de 20 MHz.
- b) La fréquence de Y est de 10 MHz.
- c) La fréquence de Y est de 2 MHz.
- d) La fréquence de Y est de 1 MHz.

Question 29

On considère la description VHDL de la fonction « myFunction » décrite à la question 28) et disponible dans un package. On s'intéresse uniquement à l'utilisation de cette fonction. En considérant l'instanciation suivante, que peut-on dire du signal Y, sachant que :

Y est un signal interne de type `std_logic`

clk est un signal d'entrée de type `std_logic` et dont la fréquence est de 20 MHz

```
u_myFunction : myFunction
  generic map (7)
  port map ( ck      => clk,
            arazb    => '1',
            E        => (others => '0'),
            sload    => Y,
            en       => '1',
            Qout(0) => Y,
            Qout(1) => open
  );
```

- a) Y est un signal périodique.
- b) Y est un signal continu égal à '0'.
- c) Y est un signal continu égal à '1'.
- d) Y est un signal aléatoire.

Partie III : Codage des nombres et calculs

Question 30

Quelle est la valeur en BCD du nombre hexadécimal 8000_h ?

- a) 0011 0010 0111 0110 1000 b
- b) 0011 0010 0111 0110 0111 b
- c) 0000 1000 0000 0000 0000 b
- d) 1000 0000 0000 0000 0000 b

Question 31

La représentation signée complément à deux des nombres binaires sur n bits permet de représenter les nombres décimaux :

- a) compris entre -2^n et $+2^n$
- b) compris entre -2^{n-1} et $+2^{n-1}$
- c) compris entre $-(2^n - 1)$ et $+(2^n - 1)$
- d) compris entre $-(2^{n-1} - 1)$ et $+(2^{n-1} - 1)$

Question 32

En représentation signée complément à deux des nombres binaires sur 16 bits, comment est codé le nombre décimal signé : -32766 ?

- a) $FFFE_h$
- b) 8000_h
- c) 8001_h
- d) 8002_h

Question 33

En considérant la représentation flottante IEEE 754 simple précision des nombres, comment est codé $+1.125$?

- a) $0x3F900000$
- b) $0x3FA00000$
- c) $0x3FB00000$
- d) $0x3FC00000$

Question 34

En considérant la représentation des nombres binaires signés en complément à 2 sur 16 bits en virgule fixe avec les 4 bits de poids faibles pour la partie fractionnaire. Le résultat du calcul suivant est :

$$\begin{array}{r} 789D_h \\ - 789E_h \\ \hline \text{résultat} \end{array}$$

- a) *résultat* = $FFFF_h$
- b) *résultat* = $FFFE_h$
- c) *résultat* = 00001_h
- d) *résultat* = 10000_h

Partie IV : Architecture des systèmes à microprocesseurs

On considère un microcontrôleur (16 bits) qui dispose entre autres des périphériques intégrés suivants :

- Deux ports (16 bits) d'entrée-sortie numériques P10 et P11 (pour lesquels les directions des entrées / sorties sont configurables individuellement ; par défaut, à l'initialisation ces ports sont configurés en entrée). Les registres permettant d'accéder aux ports sont considérés comme connus et notés P10 et P11.
- Deux sources d'interruption externe EX4 (numéro d'interruption 4) et EX5 (numéro d'interruption 5), un front montant appliqué sur ce type d'entrée déclenche l'interruption.
- Huit voies d'entrées analogiques (notée AN7 à AN0) reliées chacune à un convertisseur analogique/numérique de 12 bits.
- Un bus de communication type I2C constitué des signaux SDA et SCL.

Question 35

On considère que la tension d'entrée appliquée à la voie AN2 peut varier entre 0 volt et +3.3 volts.

La fonction de transfert (affine) de ce convertisseur est telle que :

0V correspond à : 0000 0000 0000 b et +3.3V correspond à : 1111 1111 1111 b

On appelle U la tension d'entrée du convertisseur analogique/numérique et N le nombre obtenu en sortie. Quelle est la fonction de transfert de ce convertisseur ?

- a) $N = \frac{(U-3.3)}{2} \times 4096$
- b) $N = (U - 3.3) \times 4095$
- c) $N = \frac{U}{3.3} \times 4096$
- d) $N = \frac{U}{3.3} \times 4095$

Question 36

Parmi les propositions suivantes, lesquelles sont correctes ?

- Le bus I2C est bus de communication full duplex.
- Le bus I2C est un bus de communication synchrone.
- Le signal SDA permet l'émission de données et SCL la réception de données.
- Le bus I2C permet une communication entre un seul maître mais plusieurs esclaves.
- Le signal SCL est un signal d'horloge périodique.
- Les signaux SDA et SCL sont unidirectionnels.

- a) Une ou deux de ces propositions est(sont) correcte(s).
- b) Seulement trois de ces propositions sont correctes.
- c) Seulement quatre de ces propositions sont correctes.
- d) Plus de quatre de ces propositions sont correctes.

Question 37

On considère que le port P10 est configuré avec toutes ses broches en entrées et le port P11 avec toutes ses broches en sorties. On souhaite écrire une fonction qui permet :

- de forcer le port P11 à 0xFFFF si :
 - les bits 4, 8 et 9 du port P10 sont simultanément à 0
 - et les bits 5 et 7 du port P10 sont simultanément à 1
- sinon de forcer le port P11 à 0x0000

Quelle est la traduction en C de cette fonction ?

solution 1	<pre>#define M98 0x0300 #define M75 0x00A0 #define M4 0x0010 void majPort(void) { if ((P10 & (M98 & M75 & M4))==0) P11 = 0xFFFF; else P11 = 0x0000; }</pre>
solution 2	<pre>#define M98 0x0300 #define M75 0x00A0 #define M4 0x0010 void majPort(void) { if ((P10 & (M98 & M75 & M4))==M75) P11 = 0xFFFF; else P11 = 0x0000; }</pre>
solution 3	<pre>#define M98 0x0300 #define M75 0x00A0 #define M4 0x0010 void majPort(void) { if ((P10 & (M98 M75 M4))==M75) P11 = 0xFFFF; else P11 = 0x0000; }</pre>
solution 4	<pre>#define M98 0x0300 #define M75 0x00A0 #define M4 0x0010 void majPort(void) { if ((P10 & (M98 M75 M4))==M75) P11 = 0x0000; else P11 = 0xFFFF; }</pre>

- a) Solution 1
- b) Solution 2
- c) Solution 3
- d) Solution 4

Question 38

On souhaite stocker, dans un tableau de 8 cases, la valeur convertie sur chaque voie analogique (case 0 pour la voie 0, case 1 pour la voie 1 etc. jusqu'à case 7 pour la voie 7). A chaque interruption externe (détectée sur EX4) une seule voie est convertie. On considère que l'intervalle de temps entre 2 interruptions est suffisamment long pour ne pas poser de problèmes.

On dispose de la fonction suivante :

```
unsigned int rdCAN (unsigned char channel);
```

paramètre en entrée : numéro de la voie analogique sur laquelle la conversion analogique / numérique est effectuée.

valeur retournée : donnée convertie par le convertisseur sur la voie choisie.

durée de la fonction : 0.5 ms

Quelle est la meilleure traduction en C possible de cette routine d'interruption ?

solution 1	<pre>unsigned int tab[8]; void monInterrupt(void) interrupt 4 { static unsigned char index = 0; tab[index] = rdCAN(index); index++; if (index > 7) index = 0; }</pre>
solution 2	<pre>unsigned int tab[8]; void monInterrupt(void) interrupt 4 { unsigned char index = 0; tab[index] = rdCAN(index); index++; if (index > 7) index = 0; }</pre>
solution 3	<pre>void monInterrupt(unsigned int tab[8]) interrupt 4 { static unsigned char index = 0; tab[index] = rdCAN(index); index++; if (index > 7) index = 0; }</pre>
solution 4	<pre>void monInterrupt(void) interrupt 4 { unsigned char index = 0; unsigned int tab[8]; tab[index] = rdCAN(index); index++; if (index > 7) index = 0; }</pre>

- a) Solution 1
- b) Solution 2
- c) Solution 3
- d) Solution 4

Question 39

Parmi les propositions suivantes, lesquelles sont correctes ?

- Un microprocesseur est un microcontrôleur ayant plus de périphériques.
- On peut exécuter du vrai parallélisme sur tout microcontrôleur mais aussi sur un FPGA.
- Un microprocesseur est un CPLD alors qu'un microcontrôleur est un FPGA.
- Dans une architecture à base de microcontrôleur on peut ajouter un FPGA.
- Le VHDL est un langage de description qui peut être utilisé pour programmer aussi bien les CPLD que les FPGA.

- a) Une ou deux de ces propositions est(sont) correcte(s).
- b) Seulement trois de ces propositions sont correctes.
- c) Seulement quatre de ces propositions sont correctes.
- d) Plus de trois de ces propositions sont correctes.

Partie V : Programmation

Question 40

On considère un stockage des données en mémoire :

- sous forme d'octets,
- au format *little endian*.

On considère que les variables de type `int` sont codées sur 16 bits (en représentation complément à 2).

On considère la déclaration : `int y ;`

On admettra que l'adresse de la variable `y` (en mémoire de données) est `0x0095`.

On visualise ci-dessous une partie de la mémoire des données :

Adresse	Contenu
0x0092	0x80
0x0093	0x00
0x0094	0xFF
0x0095	0x00
0x0096	0x80
0x0097	0x00

Que visualise-t-on à l'écran en exécutant l'instruction ci-dessous en C ?

```
printf("%d", y);
```

- a) -32768
- b) 32768
- c) 255
- d) 0

Question 41

On considère la fonction suivante :

```
int spTest(int * pDonnees, int i){
    int res;
    i--;
    if (i)
        res = *pDonnees + spTest(pDonnees, i);
    else
        res = 0 ;
    return res ;
}
```

Que visualise-t-on à l'écran en exécutant le programme ci-dessous en C ?

```
void main(void){
    int myData = 10;
    myData= spTest(&myData, 3);
    printf("%d", myData);
}
```

- a) 30
- b) 20
- c) 10
- d) 00.

Question 42

On considère définition de la fonction :

```
void rangement(int tab[], int taille)
{ int i,j,x;

  for (i = 0 ; i < taille ; i++)
  {
    for (j = i; j < taille ; j++)
      if ( tab[i] > tab[j] )
      {
        x = tab[i];
        tab[i] = tab[j];
        tab[j] = x;
      }
  }
}

int mytab[5]={8,4,16,32,2};
```

Parmi les propositions suivantes, laquelle est correcte ?

- a) L'exécution de l'instruction : `rangement (mytab, 5)` permet de ranger le tableau `myTab` par ordre croissant.
- b) L'exécution de l'instruction : `rangement (*mytab, 5)` permet de ranger le tableau `myTab` par ordre croissant.
- c) L'exécution de l'instruction : `rangement (mytab[5], 5)` permet de ranger le tableau `myTab` par ordre croissant.
- d) L'exécution de l'instruction : `rangement (mytab (5) , 5)` permet de ranger le tableau `myTab` par ordre croissant.

Question 43

On considère les déclarations de type et la définition de la fonction ci-dessous :

```
typedef struct {
    int re;
    int im;
} complexe_t;

void init (complexe_t *pNb){
    pNb->re = 10;
    pNb->im = -10;
}
```

Sachant que l'on dispose d'une variable déclarée ainsi :

```
complexe_t nb;
```

parmi les instructions suivantes, laquelle est correcte ?

- a) `init(*nb);`
- b) `init(&nb);`
- c) `init(nb);`
- d) `init();`

Question 44

On considère la définition de la fonction suivante :

```
unsigned int tri(unsigned int val, unsigned int mask, char nb)
{
    while (nb--)
    {
        val ^= mask;
        if (val & 0x8000)
        {
            val <<= 1;
            val |= 1;
        }
        else
            val <<= 1;
    }
    return val;
}
```

Sachant que l'on dispose d'une variable déclarée ainsi : unsigned int res;

Quelle est la valeur de res après l'exécution de l'instruction ci-dessous en C ?

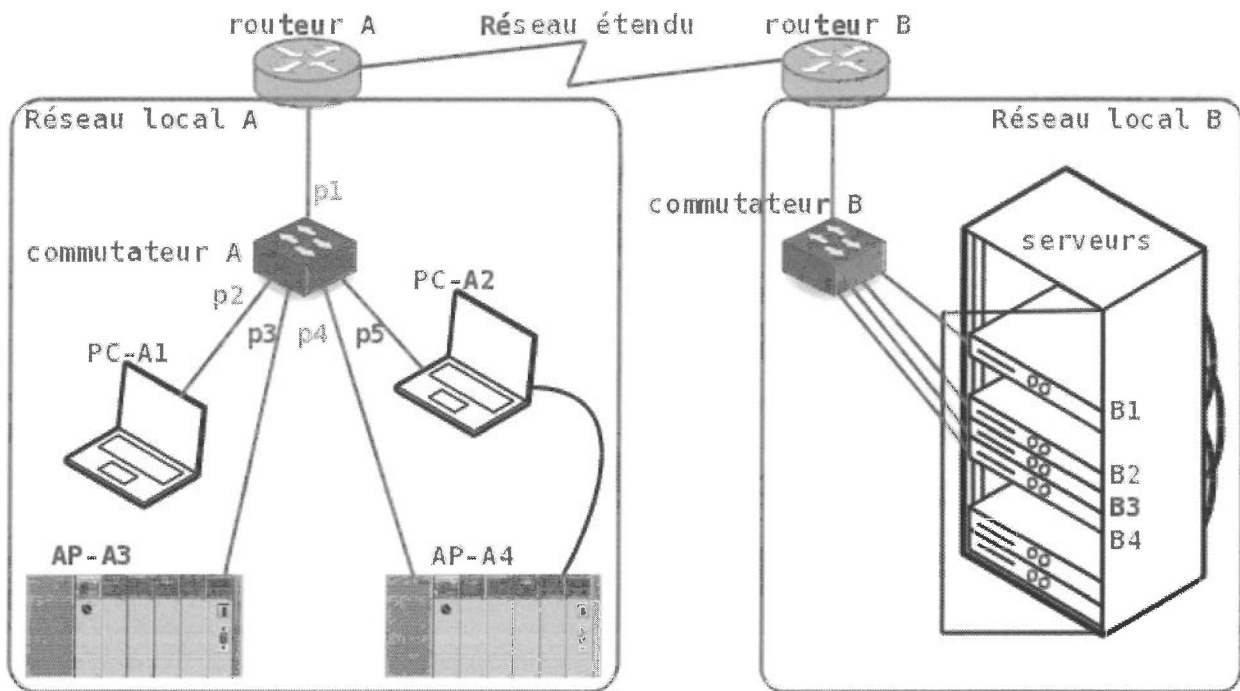
```
res = tri(0x7000, 0x9000, 3);
```

- a) 0xA002
- b) 0xE009
- c) 0x6004
- d) 0x1004

3^{ème} Sous-épreuve : Réseaux

La sous-épreuve comporte 16 questions numérotées de 45 à 60.

Certaines questions font référence à la figure ci-dessous appelée **FIGURE 1** :



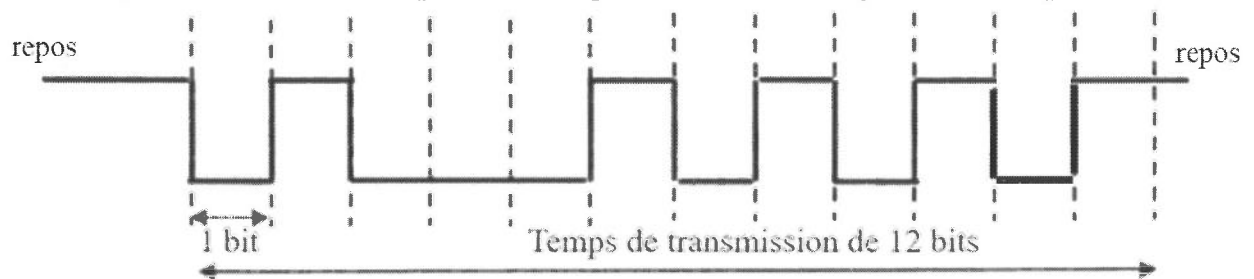
Question 45

Sur la **FIGURE 1**, la liaison série asynchrone entre le PC-A2 et l'automate programmable AP-A4 doit être mise en place. Quel paramètre ne peut pas être configuré ?

- a) Le nombre de bits dans le champ « donnée »
- b) Les bits « stop »
- c) Le bit « start »
- d) Le bit de parité

Question 46

Sur cette même liaison série asynchrone, on relève le chronogramme binaire ci-dessus. La liaison est configurée avec un bit de stop et un bit de parité. Donner la longueur du champ de données.



- a) 9 bits
- b) 10 bits
- c) 8 bits
- d) 7 bits

Question 47

Toujours sur cette même liaison série asynchrone, le contrôle de l'intégrité de la donnée transmise est réalisé au moyen du bit de parité. Quel est le type de parité choisi dans cette configuration avec le chronogramme de la question précédente ?

- a) paire
- b) sans objet
- c) paire ou impaire, cela dépend du nombre de bits constituant le champ de données
- d) impaire

Question 48

Sur cette liaison série, la vitesse de transmission observée est de 24000 bits/s. Le temps de transmission d'une suite de 12 bits consécutifs est de :

- a) 0,5 ms
- b) 1,67 s
- c) 1,34 μ s
- d) 0,2 ms

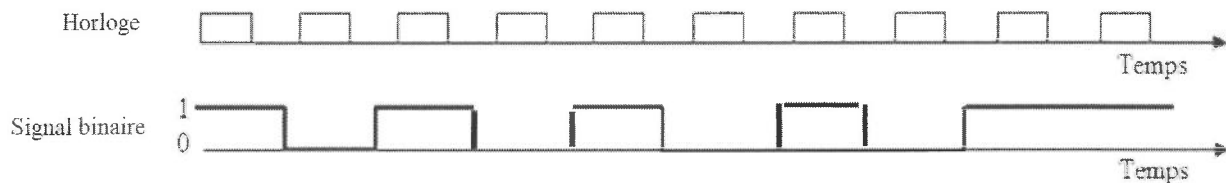
Question 49

Sur la **FIGURE 1**, on visualise sur le PC-A2 avec une application de terminal les données transmises par l'automate programmable AP-A4 sur la liaison série. Maintenant la liaison est reconfigurée de la façon suivante : 9 bits de données, 1 bit de parité, 1 bit de stop, 12000 bits/s. L'automate AP-A4 doit transmettre vers le terminal 10 caractères de 9 bits consécutifs correspondant à un message de 10 caractères (un caractère = 9 bits). Donner le temps de transmission de ce message.

- a) 100 ms
- b) 23,6 s
- c) 4,7 μ s
- d) 10 ms

Question 50

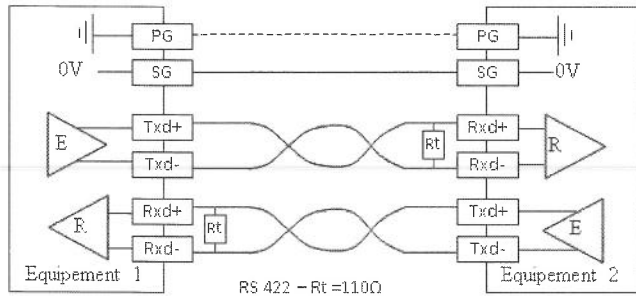
L'échange de données entre certaines cartes d'entrées/sorties et l'unité centrale de l'automate programmable industriel est assuré par un bus synchrone. Sur le bus synchrone, on relève le chronogramme ci-dessous.



L'état logique d'un bit reçu est évalué sur le niveau haut signal de l'horloge. Quelle est la séquence binaire transmise ?

- a) 0101010100
- b) 1010101011
- c) 01101100110
- d) 0101100110

Question 51



Le schéma ci-dessus représente une liaison RS422 entre le PC-A2 et l'automate programmable AP-A4. En ce qui concerne cette liaison, quelle affirmation vous paraît fausse ?

- a) cette liaison permet une transmission bidirectionnelle
- b) cette liaison permet une transmission bidirectionnelle simultanée
- c) cette liaison permet une transmission « Full Duplex »
- d) seule une liaison asynchrone « Half Duplex » peut être mise en place

Question 52

Le commutateur Ethernet B de la **FIGURE 1** assure une vitesse de transmission de 1000 Mbits/s sur tous les ports quel que soit l'équipement connecté. Durant une seconde, on observe des transmissions de données entre les hôtes B2 et B4, entre l'hôte B1 et le routeur B. Quel est le nombre de bits qui transitent au travers du commutateur pendant cet intervalle de temps ?

- a) 1010 bits.
- b) 2000×10^6 bits
- c) 109 bits
- d) 3×10^9 bits

Question 53

Le commutateur Ethernet B de la **FIGURE 1** doit associer l'adresse MAC de l'hôte avec le numéro de port auquel cet hôte est connecté. Cette association est effectuée de la façon suivante :

- a) Un serveur de numéro de port transmet au commutateur toutes les données nécessaires pour effectuer cette association
- b) Le numéro de port est configuré sur l'hôte connecté à ce port
- c) Le commutateur extrait de la trame reçue l'adresse MAC source et associe cette adresse avec le numéro de port sur lequel il a reçu la trame
- d) Cette association nécessite un branchement particulier au niveau des ports

Question 54

Dans la liste ci-dessous, quelle est l'affirmation qui caractérise le protocole UDP ?

- a) UDP est un protocole de la couche réseau
- b) UDP est un protocole de la couche transport fonctionnant en mode non connecté
- c) UDP est un protocole de la couche transport fonctionnant en mode connecté
- d) UDP est un protocole de transfert associé au protocole HTTP au niveau de la couche application

Question 55

Dans la liste suivante, quelle est la correspondance que le protocole ARP permet d'établir ?

- a) Le protocole ARP fait correspondre l'adresse IPv4, que l'on ne connaît pas, d'un hôte situé dans un réseau local avec son adresse Ethernet (MAC) que l'on connaît
- b) Le protocole ARP fait correspondre l'adresse Ethernet (MAC), que l'on ne connaît pas, d'un hôte situé dans un réseau local avec son adresse IPv4 que l'on connaît
- c) Le protocole ARP fait correspondre l'adresse IPv4, que l'on ne connaît pas, d'un hôte situé dans un réseau local avec son nom DNS que l'on connaît
- d) Le protocole ARP fait correspondre l'adresse Ethernet (MAC), que l'on ne connaît pas, d'un hôte situé dans un réseau local différent avec son adresse IPv4 que l'on connaît

Question 56

Sur la **FIGURE 1**, les adresses IPv4 ont été attribuées suivant la table ci-dessous.

	Réseau local A		Réseau local B
Routeur A	198.51.100.126	Routeur B	198.51.100.190
PC-A1	198.51.100.97	Serveur B1	198.51.100.161
PC-A2	198.51.100.98	Serveur B2	198.51.100.162
Automate AP-A3	198.51.100.120	Serveur B3	198.51.100.163

Quel masque réseau commun aux deux réseaux locaux A et B faut-il appliquer lors de la configuration des interfaces des équipements du tableau pour obtenir un fonctionnement correct de l'interconnexion ?

On recherche un masque de longueur maximale de façon à obtenir des domaines de diffusion les plus petits possibles.

- a) Masque réseau avec 23 bits à 1 noté /23
- b) Masque réseau avec 24 bits à 1 noté /24
- c) Masque réseau avec 26 bits à 1 noté /26
- d) Masque réseau avec 27 bits à 1 noté /27

Question 57

Quelle proposition décrit le rôle des routeurs A et B de la **FIGURE 1** ?

- a) Ils segmentent les domaines de collision et ils propagent la diffusion (broadcast) entre les différents réseaux
- b) Ils segmentent les domaines de collision et de diffusion (broadcast) entre les différents réseaux
- c) Ils étendent les domaines de collision et de diffusion (broadcast) entre les différents réseaux
- d) Ils maintiennent un format de trame commun entre interfaces de réseaux locaux et de réseaux étendus

Question 58

Dans la liste suivante, quel est le service que le protocole TCP ne fournit pas ?

- a) La fiabilité dans le transport des données
- b) La garantie sur le débit binaire disponible de bout en bout
- c) Le service orienté connexion
- d) Le contrôle de flux

Question 59

Sur la **FIGURE 1**, le PC-A1 émet une requête à destination du serveur B2 et celui-ci renvoie une réponse. Dans la liste suivante, quelle est la proposition correcte concernant l'encapsulation de la réponse à destination du PC-A1 dans le réseau local A ?

- a) Le serveur B2 répond directement au PC-A1 en plaçant son adresse MAC dans le champ adresse source de la trame
- b) Le routeur A répond au PC-A1 en plaçant l'adresse MAC du serveur B2 dans le champ adresse source de la trame
- c) Le routeur A répond au PC-A1 en plaçant sa propre adresse MAC dans le champ adresse source de la trame
- d) Il ne peut pas y avoir de réponse sachant que l'interconnexion réseau proposée dans la **FIGURE 1** ne permet pas au PC1-A1 de joindre le serveur B2

Question 60

Sur la **FIGURE 1**, le serveur B1 exécute plusieurs applications différentes en attente ou en écoute des messages émis par les automates programmables du réseau local A. Si ces applications sont amenées à recevoir et/ou émettre des segments TCP, quelle est l'information contenue dans l'en-tête de protocole de couche transport qui permet d'orienter un segment vers la bonne application ?

- a) Le numéro de séquence
- b) Le numéro de port destination
- c) Le numéro d'acquittement
- d) La combinaison des indicateurs (Flags)

CONCOURS DE RECRUTEMENT D'ÉLÈVES
INGÉNIEURS ÉLECTRONICIENS DES SYSTÈMES DE LA SÉCURITÉ
AÉRIENNE

I.E.S.S.A.

ÉPREUVE FACULTATIVE
DE CONNAISSANCES AÉRONAUTIQUES

Durée : 1 heure

Coefficient : 1 (bonus)

TOUT DISPOSITIF ELECTRONIQUE EST INTERDIT EN
PARTICULIER L'USAGE DE LA CALCULATRICE



Cette épreuve comporte :

- 1 page de garde (recto)
- 1 page d'instructions pour remplir le Q.C.M. (recto)
- 4 pages de sujets numérotées de 1 à 4 (20 questions) recto verso

ÉPREUVE FACULTATIVE DE CONNAISSANCES AÉRONAUTIQUES

A LIRE TRÈS ATTENTIVEMENT

L'épreuve facultative de connaissances aéronautiques de ce concours est un questionnaire à choix multiple qui sera corrigé informatiquement.

- 1) Pour remplir ce QCM, vous devez utiliser un stylo à bille ou feutre à encre foncée bleue ou noire. Vous devez **cocher** la case en vue de la lecture informatisée de votre QCM.
- 2) Utilisez le sujet comme brouillon (ou les feuilles de brouillon qui vous seront fournies à la demande par le (la) surveillant(e) qui s'occupe de votre rangée) et ne retranscrivez vos réponses qu'après vous être relu soigneusement.
- 3) Votre QCM ne doit pas être souillé, froissé, plié, écorné ou porter des inscriptions superflues, sous peine d'être rejeté informatiquement et de ne pas être corrigé.
- 4) Si vous voulez **modifier** votre réponse, n'utilisez pas de correcteur mais indiquez la nouvelle réponse sur la 2^{ème} ligne.
- 5) Si vous voulez **annuler** votre réponse, vous devez cocher la case « An ». Dans ce cas-là, **aucune** réponse ne sera prise en compte.
- 6) Cette épreuve comporte 20 questions obligatoires.

Dans cette épreuve, pour chaque question, il n'y a qu'une seule réponse juste.

- 7) A chaque question numérotée entre 1 et 20, correspond sur la feuille-réponses une ligne de cases qui porte le même numéro (les lignes de 21 à 80 sont neutralisées). Chaque ligne comporte 5 cases A, B, C, D, E. La case E ne doit pas être utilisée.

Pour chaque ligne numérotée de 1 à 20, vous vous trouvez en face de 2 possibilités :

- ▶ soit vous décidez de ne pas traiter cette question,
la ligne correspondante doit rester vierge.
- ▶ soit vous décidez de traiter cette question,
vous devez cocher l'une des cases A, B, C, D et une seule.

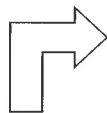
1 - Avant tout vol vous devez vérifier qu'est valide et non périmé :

- A) Le carnet de route
- B) Le manuel de vol
- C) Le certificat d'immatriculation
- D) Le certificat d'examen navigabilité

2 - Le vol VFR est toujours contrôlé dans les espaces de classe :

- A) D
- B) E
- C) F
- D) G

3 -Le signal suivant sur l'aire à signaux indique que :



- A) Le circuit de piste s'effectue par des virages à gauche
- B) Le circuit de piste s'effectue par des virages à droite
- C) Le vent vient de la droite
- D) Le vent vient de la gauche

4 - L'expérience totale minimale exigée pour la délivrance d'une licence de pilote privé avion, pour un candidat non titulaire d'un autre titre aéronautique, est de :

- A) 10 heures
- B) 25 heures
- C) 35 heures
- D) 45 heures

5 - L'orientation de la piste est définie par rapport au :

- A) Nord vrai
- B) Nord compas
- C) Nord magnétique
- D) Nord géographique

6– Un marais barométrique est :

- A) Un axe de basses pressions
- B) Un axe de hautes pressions
- C) Un cyclone
- D) Une vaste étendue de pression atmosphérique stable

7 - La force du vent est d'autant plus grande que :

- A) Les lignes isobares sont espacées
- B) Les lignes isobares sont serrées
- C) Les lignes isogones sont serrées
- D) Les lignes isogones sont espacées

8 - Le plafond nuageux est défini par une nébulosité au moins égale à :

- A) FEW
- B) SCT
- C) BKN
- D) OVC

9 - Le cirrus (Ci) est un nuage :

- A) Stable de l'étage moyen
- B) De faible altitude et dangereux
- C) De haute altitude stable
- D) De haute altitude qui génère de la pluie

10 – En observant le métar suivant LFMP 060800Z 34004KT 300V020 6000 BKN007 16/15 Q1017, vous en déduisez que la direction du vent est :

- A) Comprise entre les 300° et le 020°
- B) Du 340° rafale à 40kt du 300°
- C) Du 340°/ 4 kt au sol et du 300° /20 kt à 6000 ft
- D) Stable du 340°

11- La portance et la traînée varient comme :

- A) La racine carrée de la vitesse
- B) Le double de la vitesse
- C) L'inverse de la vitesse
- D) Le carré de la vitesse

12 - Le braquage des volets :

- A) Augmente la vitesse de décrochage
- B) Augmente l'inclinaison
- C) Diminue la vitesse de décrochage
- D) Diminue l'inclinaison

13 - Le sigle SAR signifie :

- A) Service aérien réglementé
- B) Service d'aide radio téléphonique
- C) Secours aéronautique réglementé
- D) Service de recherche et sauvetage

14 - Un volet de capot moteur sera mis en position ouverte :

- A) Au décollage
- B) Dès que la température extérieure est négative
- C) En descente
- D) En croisière à haute altitude

15 - L'inclinaison est provoquée par :

- A) Les aérofreins
- B) La gouverne de profondeur
- C) La sortie des volets
- D) Les ailerons

16 - Une carte dite "conforme" conserve les mesures :

- A) D'angle
- B) De distance
- C) De surface
- D) De courbe de niveau

17 - Sur une carte OACI au 1/500 000, sur un méridien, un arc de 1° correspond à :

- A) 10 NM
- B) 20 NM
- C) 30 NM
- D) 60 NM

18 – Lors d'un vol vous devez survoler une zone notée P35 :

- A) C'est une zone particulière mais autorisée de survol
- B) C'est une zone interdite de survol
- C) C'est un parc naturel sans contrainte de survol
- D) C'est un parc national, survol minimum 1000 ft au-dessus

19 – Dans l'alphabet aéronautique la lettre J se prononce :

- A) Julie
- B) Jack
- C) John
- D) Juliet

20 - L'heure du coucher de soleil est 18h00 TU près de Biarritz longitude 1.5° W, la nuit aéronautique à Nice - longitude 7.5° E est à :

- A) 17h24 TU
- B) 17h36 TU
- C) 17h54 TU
- D) 18h14 TU